



8104



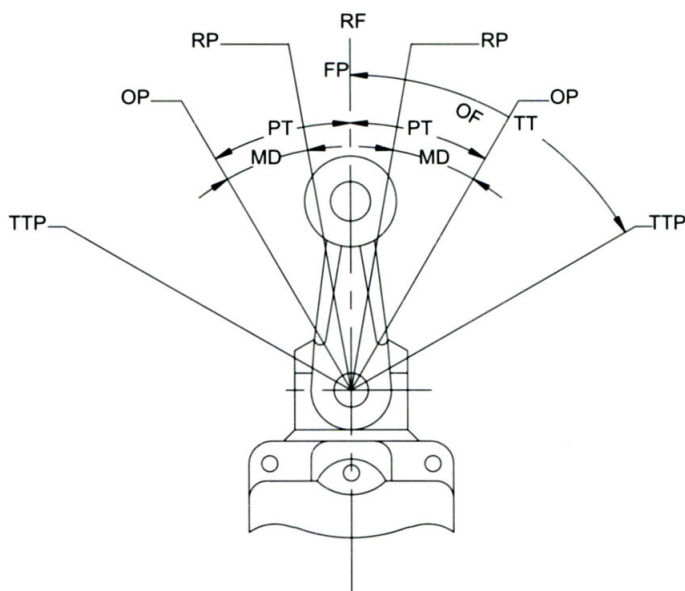
8108

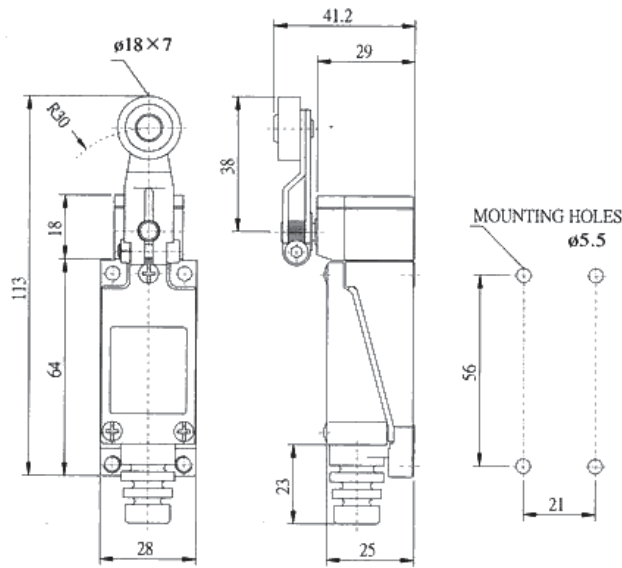
- » Wide choice of heads and actuators.
- » Variety of operating characteristics.
- » Internal grounding screw.
- » Dusrproof, Oil-Tight, Water-resistant.
- » Temperature range +5°F to +160°F (-15°C to +70°C).

Rating	5A 250V AC, 0.4A 115V DC
Operating speed	0.5mm to 50m/sec
Operating frequency	Mechanically: 120 operations/min. Electrically: 30 operations/min.
Contact resistance	15MΩ max.(initial)
Insulation resistance	100MΩ min.(at 500V DC)
Dielectric strength	<ul style="list-style-type: none"> • 1,000VAC, 50/60 Hz for 1 minute between non-continuous terminals • 1,500VAC, 50/60 Hz for 1 minute between each terminal and noncurrent carrying metal part and between each terminal and ground.
Vibration	Malfunction durability: 10 to 55Hz; 1.5mm double amplitude
Shock	Mechanical durability: Approx.1,000m/ sec ² (approx.100G's) Malfunction durability: Approx.300m/ sec ² (approx.30G's)
Ambient operating temperature	Operating: -5°C to +65°C
Humidity	95% RH max
Service life	Mechanically: 10,000,000 operations min Electrically: 500,000 operations min.
Degree of protection	IP65

Action Feature related terms

OF	Operating Force
RF	Releasing Force
TF	Total Force
FP	Free Position
OP	Operating Position
RP	Releasing Position
TTP	Total Travel Position
PT	Pretravel
OT	Overtravel
MD	Movement Differential
TT	Total Travel

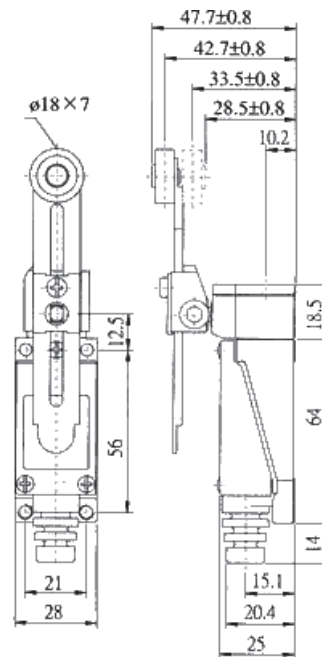




CEA-8104

Unit : mm

OF max.	600g	OT min.	75°
RF min.	50g	MD max.	10°
PT max.	20°	TT min.	95°



CEA-8108

Unit : mm

OF max.	340g	OT min.	75°
RF min.	21g	MD max.	10°
PT max.	20°	TT min.	95°