



1307



1308



1701



1702



1703

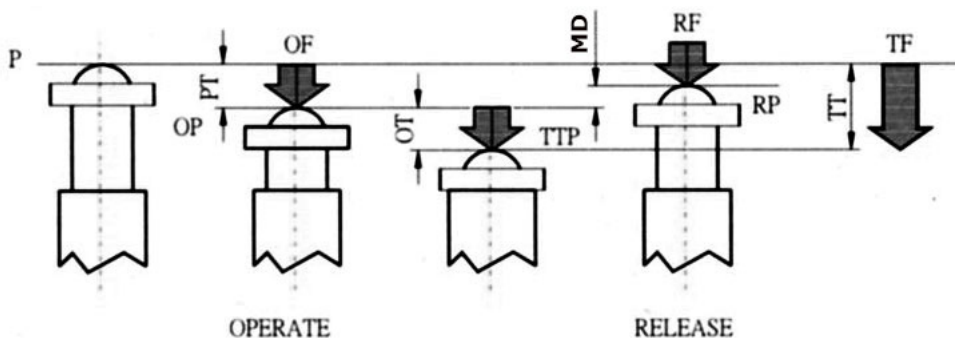


1704

- » Wide choice of heads and actuators.
- » Momentary contacts.
- » Completely sealed constructure.
- » Temperature range +5°F to +175°F (-15°C to +80°C).
- » Soldering terminal or fast terminal.

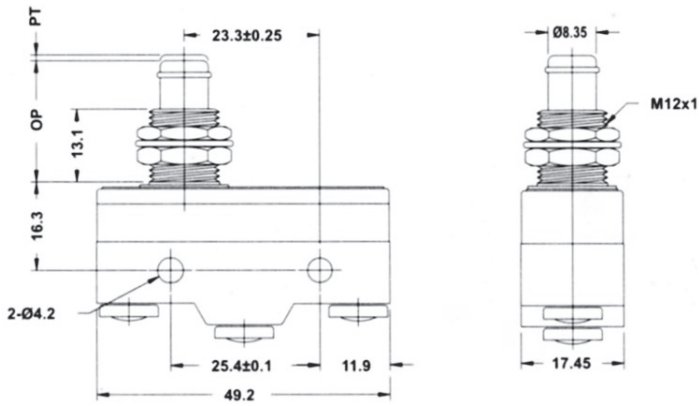
Rating	15A 125 or 250V AC
	1/8 HP 125V AC
	1/4 HP 250V AC
	1/2 A 125V DC
	1/4 A 250V DC

Operating speed	0.01mm to 1m/sec
Operating frequency	Mechanically: 240 operations/min. Electrically: 20 operations/min.
Contact resistance	15MΩ max.(initial)
Insulation resistance	100MΩ min. (at 500V DC)
Dielectric strength	<ul style="list-style-type: none"> • 1,000VAC, 50/60Hz for 1 minute between non-continuous terminals • 2,000VAC, 50/60Hz for 1 minute between current-carry part and ground
Vibration	Malfunction durability: 10 to 55Hz 1.5mm double amplitude
Shock	<ul style="list-style-type: none"> • Mechanical durability: Approx. 1,000m/ sec² (approx.100G's) • Malfunction durability: Approx. 300m/ sec² (approx.30G's)
Ambient operating temperature	General purpose type: -25°C to +80°C Sealed type: -15°C to +80°C
Humidity	General purpose type: 85% RH max Sealed type: 95% RH max
Service life	Mechanically: 20,000,000 operations min Electrically: 500,000 operations min.



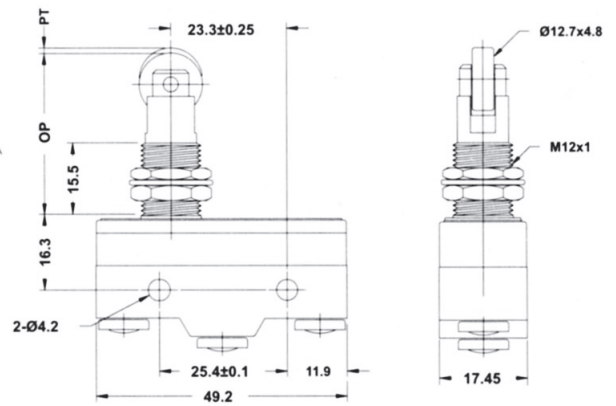
Action Feature related terms

OF: Operating Force	OP: Operating Position	OT: Overtravel
RF: Releasing Force	RP: Releasing Position	MD: Movement Differential
TF: Total Force	TTP: Total Travel Position	TT: Total Travel
FP: Free Position	PT: Pretravel	



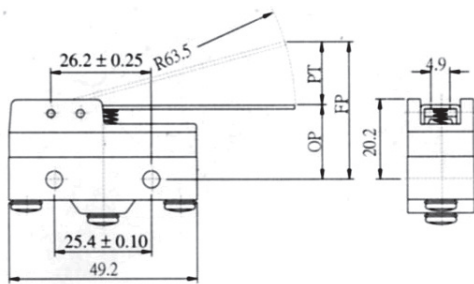
CEA-1307

OF	250g-350g	OT min.	5.5mm
RF min.	114g	MD max.	0.05mm
PT max.	0.1mm	OP	21.8±0.8mm



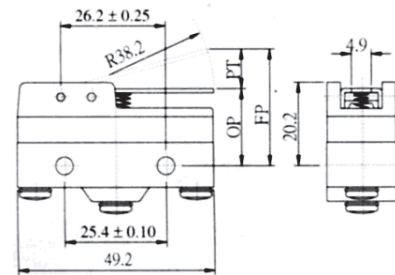
CEA-1308

OF	250g-350g	OT min.	3.58mm
RF min.	114g	MD max.	0.05mm
PT max.	0.4mm	OP	33.4±1.2mm



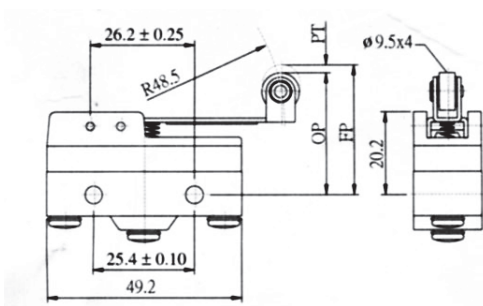
CEA-1701

OF max.	70g	OT min.	5.6mm
RF min.	14g	MD max.	1.27mm
PT max.	10mm	FP max.	28.2mm
OP		19±0.8mm	



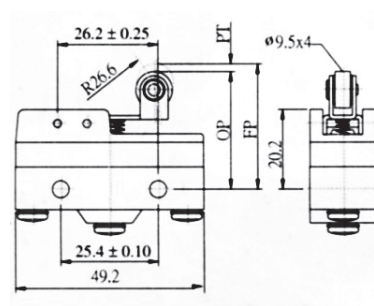
CEA-1702

OF max.	120g	OT min.	3.0mm
RF min.	20g	MD max.	1.0mm
PT max.	7.9mm	FP max.	26.2mm
OP		19±0.8mm	



CEA-1703

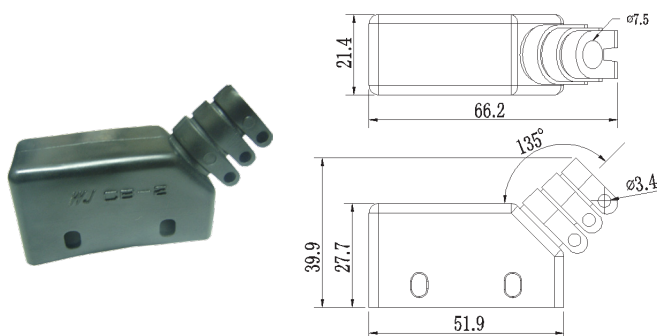
OF max.	100g	OT min.	4.0mm
RF min.	21g	MD max.	1.6mm
PT max.	7.1mm	FP max.	36.5mm
OP		30.2±0.8mm	



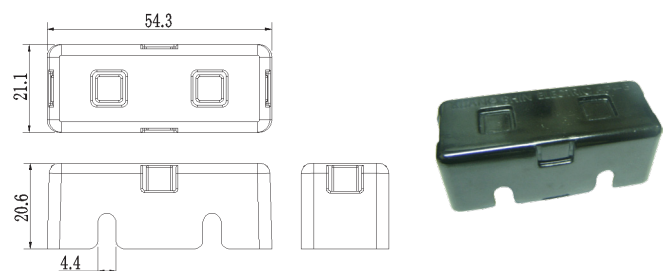
CEA-1704

OF max.	160g	OT min.	2.4mm
RF min.	42g	MD max.	0.5mm
PT max.	3.5mm	FP max.	34.5mm
OP		30.2±0.8mm	

CEA-A 微動開關保護套(橡膠) Protection Cover



CEA-B 微動開關保護蓋(電木) Protection Cover



Unit : mm