



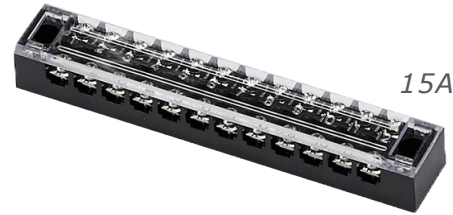
15A3P



15A6P



15A4P

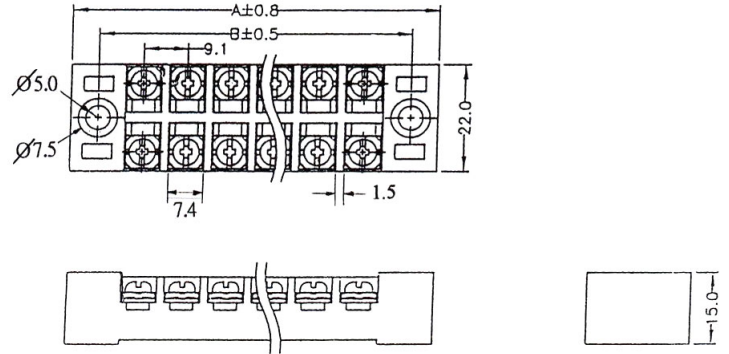


15A12P

**CB1-15A**

Fixed Terminal Blocks 15A

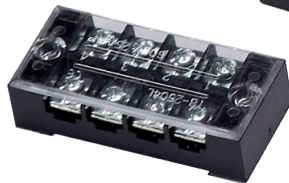
Product Type	柵欄式雙排端子台
Electrical Rating	15A, 600V
Housing Material	PC, Black
Terminal	Brass, Chromium Plated 0.8t
Screw	Steel, M3, Nickel Plated
Wire Range	22 ~ 16 AWG
Max. Torque Value	10Kg/cm
Working Temperature	-40°C to +105°C
Number of Poles	3P, 4P, 6P, 12P
Pitch (terminal to terminal)	9.1mm



	Unit: mm			
Poles	3	4	6	12
A	46	55	73	127
B	36	45	63	117



25A3P



25A4P



25A6P

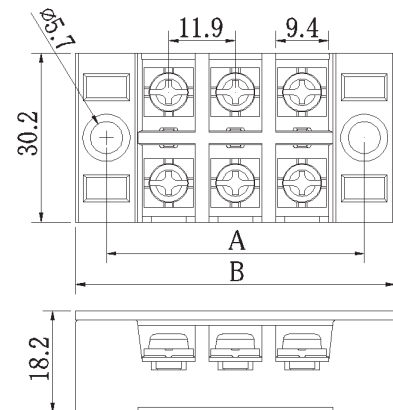


25A12P

**CB1-25A**

Fixed Terminal Blocks 25A

Product Type	柵欄式雙排端子台
Electrical Rating	25A, 600V
Housing Material	PC, Black
Terminal	Brass, Nickel Plated
Screw	Steel, Zinc Trivalent Chromate Plated M4
Wire Range	22 ~ 12 AWG
Max. Torque Value	18Kg/cm
Working Temperature	-40°C to +105°C
Number of Poles	3P, 4P, 6P, 12P
Pitch (terminal to terminal)	11.9mm

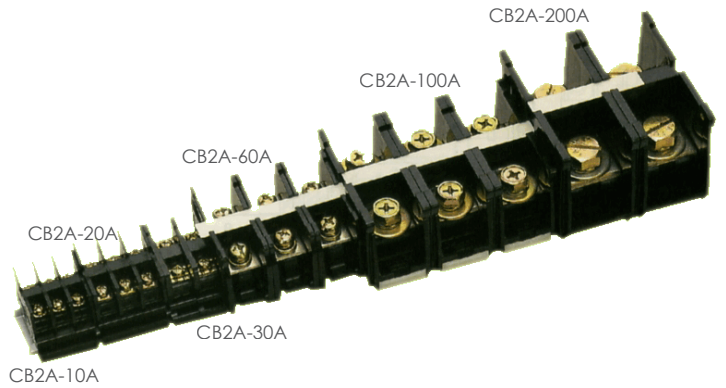


	Unit: mm			
Poles	3	4	6	12
A	46	57.9	81.7	153.1
B	57	68.9	92.7	164.1

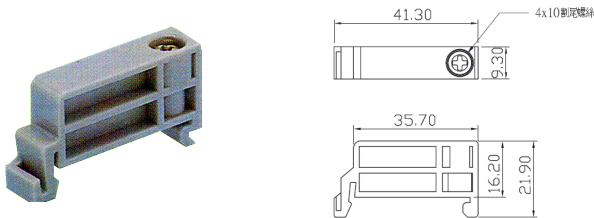
**CB2A**

Rail Mounted Terminal Blocks  
(35mm Aluminum Rail)

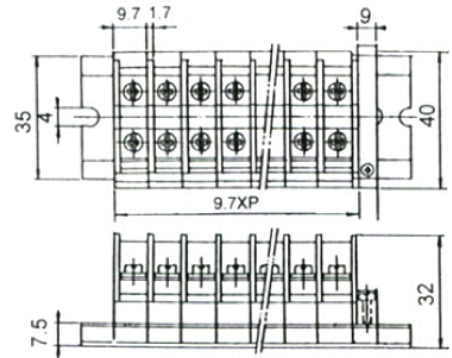
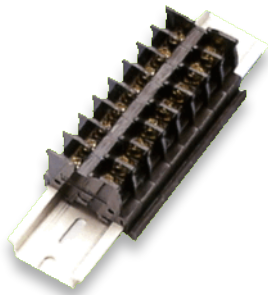
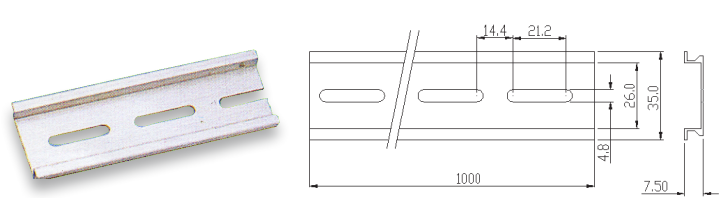
Product Type	軌道式端子台(35mm鋁軌)
Electrical Rating	10A~200A, 600V
Housing Material	PC, Black
Terminal	Brass, Nickel Plated
Screw	鐵鍍三價鉻鋅
Working Temperature	-40°C to +105°C
Number of Poles	由客戶端自行組合所需電極數量



**CBB-B/35mm鋁軌檔片** 35mm Rail PC stopper



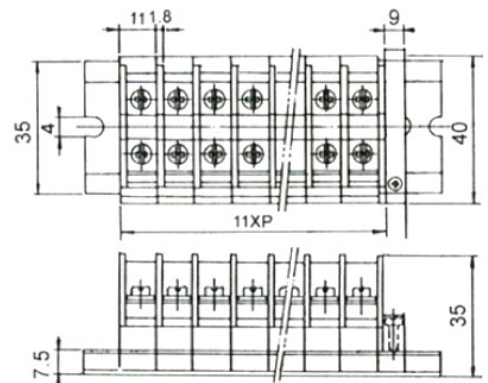
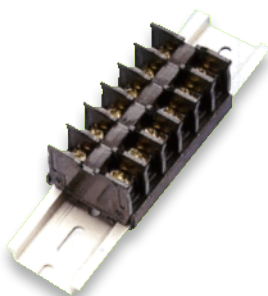
**CBA-35-1M/鋁軌(35mm)** 35mm Din Rail



**CB2A-10A**

Electrical Rating	Pitch (terminal to terminal)	Screw
10A, 600V	9.7mm	Steel, M3

Unit:mm

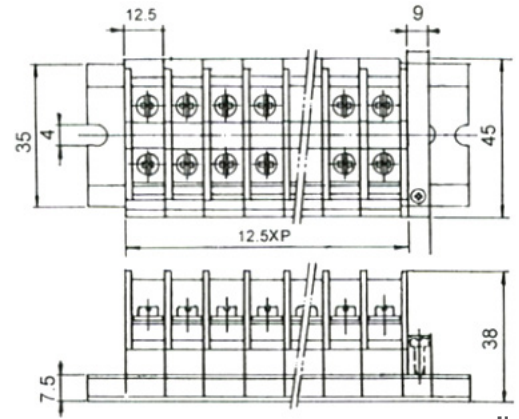
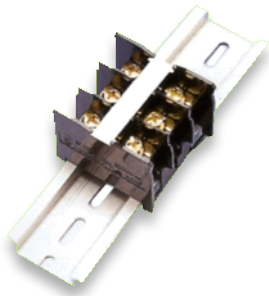


**CB2A-20A**

Electrical Rating	Pitch (terminal to terminal)	Screw
20A, 600V	11mm	Steel, M4

Unit:mm

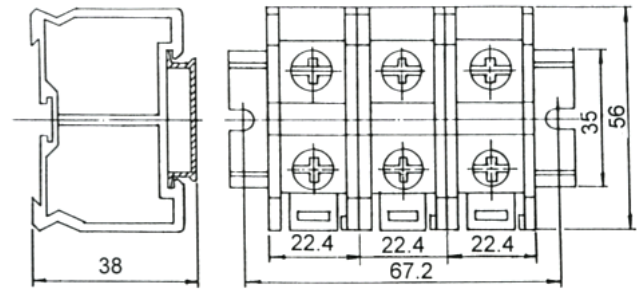
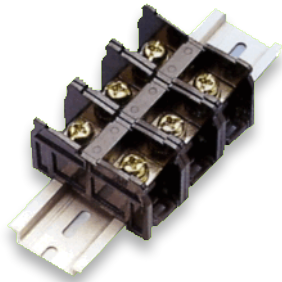
用於35mm鋁軌



Unit:mm

**CB2A-30A**

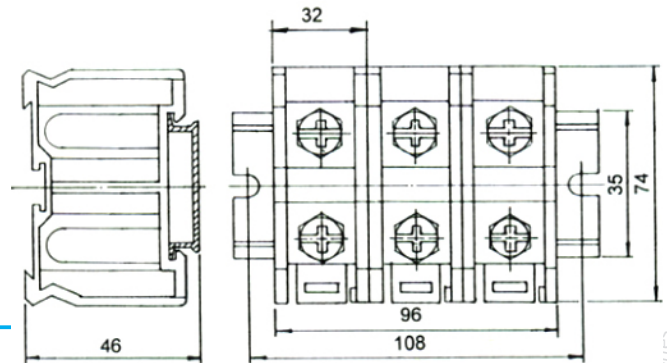
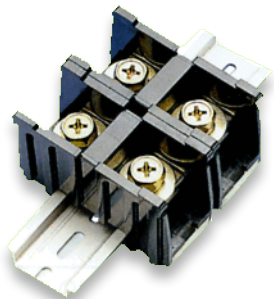
Electrical Rating	Pitch (terminal to terminal)	Screw
30A, 600V	12.5mm	Steel, M4



Unit:mm

**CB2A-60A**

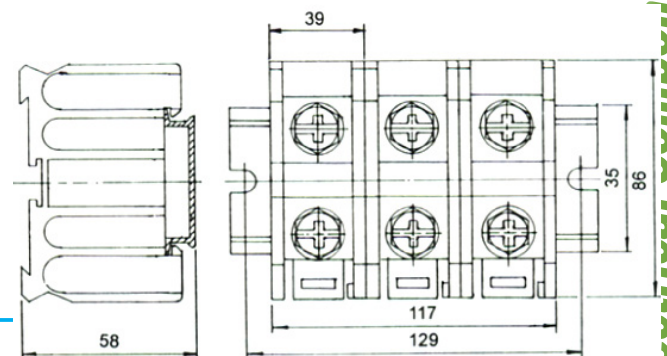
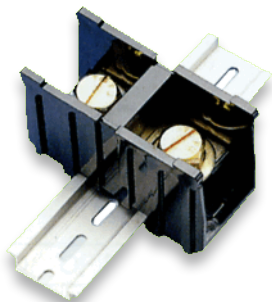
Electrical Rating	Pitch (terminal to terminal)	Screw
60A, 600V	22.4mm	Steel, M6



Unit:mm

**CB2A-100A**

Electrical Rating	Pitch (terminal to terminal)	Screw
100A, 600V	32mm	Steel, M8



Unit:mm

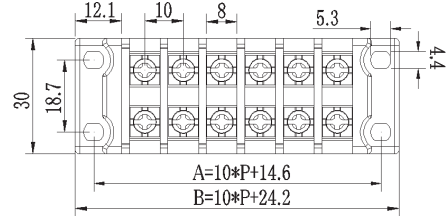
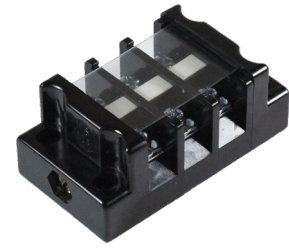
**CB2A-200A**

Electrical Rating	Pitch (terminal to terminal)	Screw
200A, 600V	39mm	Steel, M10

### CB3-10A

Made in Taiwan

Electrical Rating	10A, 600V
Housing Material	Phenolic, Black
Terminal	Brass, Nickel Plated
Screw	鐵鍍三價鉻鋅 M3.5
Wire Range	14~22 AWG
Max. Torque Value	15.985Kg-cm
Working Temperature	-55°C to +150°C
Number of Poles	2P~12P
Pitch (terminal to terminal)	10mm



$A=10*P+14.6$   $B=10*P+24.2$

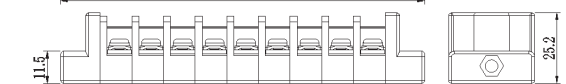
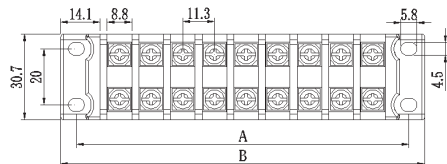
Unit : mm

Poles	2	3	4	5	6	7	8	9	10	11	12
A	34.6	44.6	54.6	64.6	74.6	84.6	94.6	104.6	114.6	124.6	134.6
B	44.2	54.2	64.2	74.2	84.2	94.2	104.2	114.2	124.2	134.2	144.2

### CB3-20A

Made in Taiwan

Electrical Rating	20A, 600V
Housing Material	Phenolic, Black
Terminal	Brass, Nickel Plated
Screw	鐵鍍三價鉻鋅 M4
Wire Range	12~22 AWG
Max. Torque Value	15.985Kg-cm
Working Temperature	-55°C to +150°C
Number of Poles	2P~12P
Pitch (terminal to terminal)	11.3mm



$A=11.3*P+17$   $B=11.3*P+28.2$

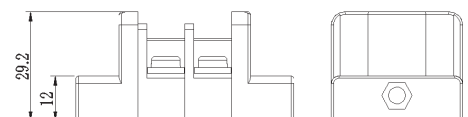
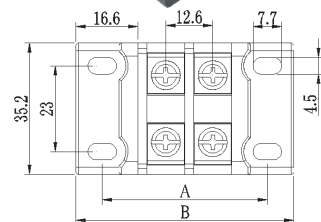
Unit : mm

Poles	2	3	4	5	6	7	8	9	10	11	12
A	39.6	50.9	62.2	73.5	84.8	96.1	107.4	118.7	130	141.3	152.6
B	50.8	62.1	73.4	84.7	96	107.3	118.6	129.9	141.2	152.5	163.8

### CB3-30A

Made in Taiwan

Electrical Rating	30A, 600V
Housing Material	Phenolic, Black
Terminal	Brass, Nickel Plated
Screw	鐵鍍三價鉻鋅 M4
Wire Range	10~22 AWG
Max. Torque Value	15.985Kg-cm
Working Temperature	-55°C to +150°C
Number of Poles	2P~12P
Pitch (terminal to terminal)	12.6mm



$A=12.6*P+19.1$   $B=12.6*P+33.2$

Unit : mm

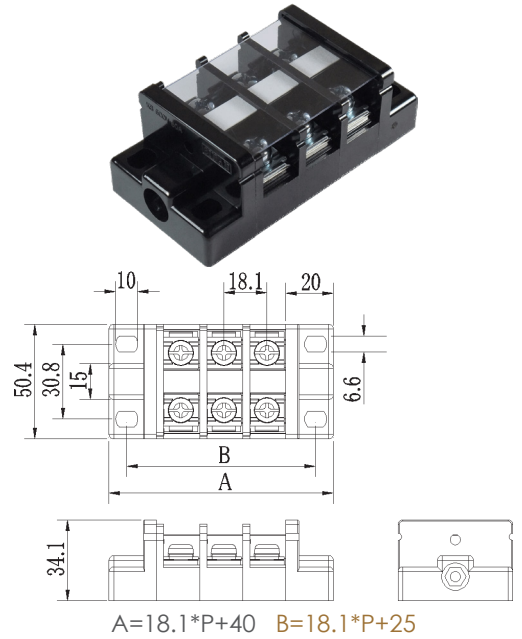
Poles	2	3	4	5	6	7	8	9	10	11	12
A	44.3	56.9	69.5	82.1	94.7	107.3	119.9	132.5	145.1	157.7	170.3
B	58.4	71	83.6	96.2	108.8	121.4	134	146.6	159.2	171.8	184.4

### CB3-60A

Made in Taiwan

Electrical Rating	60A, 600V
Housing Material	Phenolic, Black
Terminal	Brass, Nickel Plated
Screw	鐵鍍三價鉻鋅 M6
Wire Range	6~16 AWG
Max. Torque Value	20.7Kg-cm
Working Temperature	-55°C to +150°C
Number of Poles	2P~10P
Pitch (terminal to terminal)	18.1mm

		Unit : mm									
Poles		2	3	4	5	6	7	8	9	10	
A		76.2	94.3	112.4	130.5	148.6	166.7	184.8	202.9	211	
B		61.2	79.3	97.4	115.5	133.6	151.7	169.8	187.9	206	

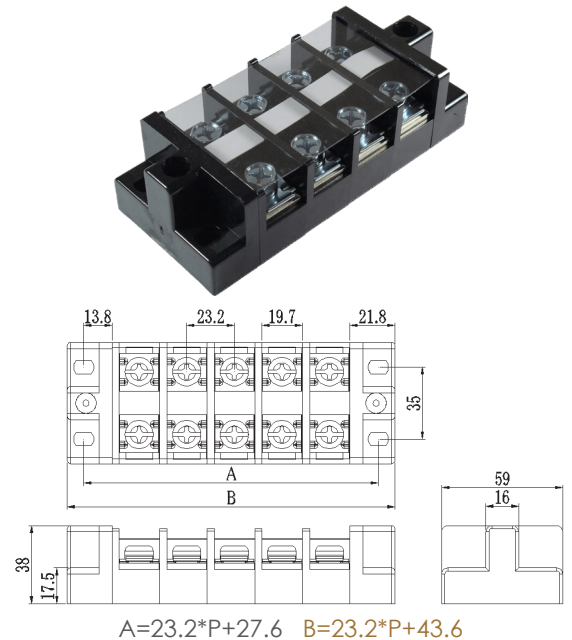


### CB3-100A

Made in Taiwan

Electrical Rating	100A, 600V
Housing Material	Phenolic, Black
Terminal	Brass, Nickel Plated
Screw	鐵鍍三價鉻鋅 M8
Working Temperature	-55°C to +150°C
Number of Poles	2P~10P
Pitch (terminal to terminal)	23.2mm

		Unit : mm									
Poles		2	3	4	5	6	7	8	9	10	
A		74	97.2	120.4	143.6	166.8	190	231.2	236.4	259.6	
B		90	113.2	136.4	159.6	182.8	206	229.2	252.4	275.6	

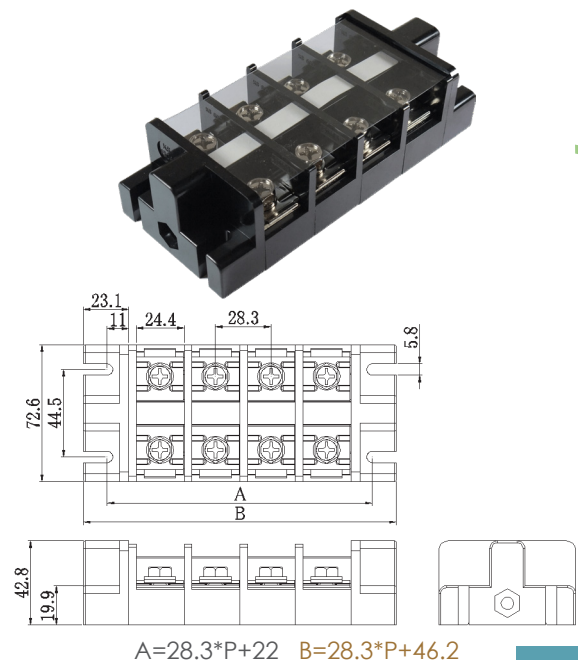


### CB3-150A

Made in Taiwan

Electrical Rating	150A, 600V
Housing Material	Phenolic, Black
Terminal	Brass, Nickel Plated
Screw	鐵鍍三價鉻鋅 M8
Working Temperature	-55°C to +150°C
Number of Poles	2P~8P
Pitch (terminal to terminal)	28.3mm

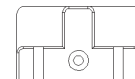
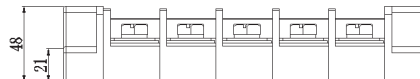
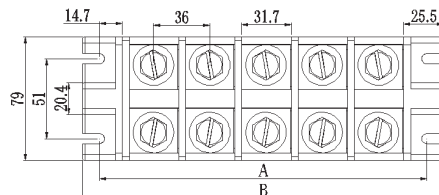
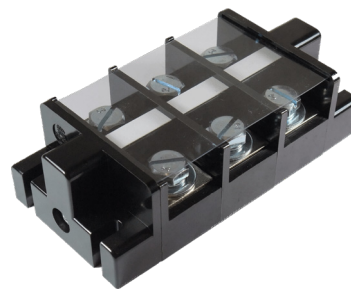
		Unit : mm							
Poles		2	3	4	5	6	7	8	
A		78.6	106.9	135.2	163.5	191.8	220.1	248.4	
B		102.8	131.1	159.4	187.7	216	244.3	272.6	



**CB3-200A**

Made in Taiwan

Electrical Rating	200A, 600V
Housing Material	Phenolic, Black
Terminal	Brass, Nickel Plated
Screw	鐵鍍三價鉻鋅 M10
Working Temperature	-55°C to +150°C
Number of Poles	2P~8P
Pitch (terminal to terminal)	36mm



$A=36*P+29.4$   $B=36*P+51$

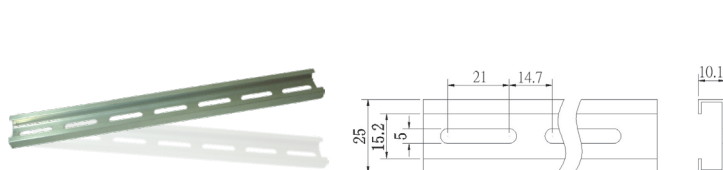
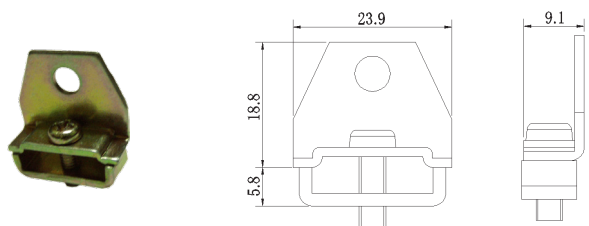
Unit : mm

Poles	2	3	4	5	6	7	8
A	101.4	137.4	173.4	209.4	245.4	281.4	317.4
B	123	159	195	231	267	303	339

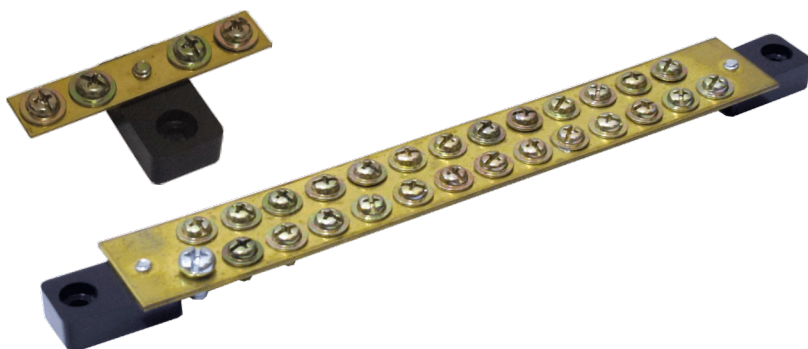
端子台配件

**CBB-A/25mm鋁軌檔片** 35mm Rail iron stopper

**CBA-25-1M/鋁軌(25mm)** 25mm Din Rail



接地銅排端子 **Ground Terminal Plate** Series  
CB9 Series



接地銅排端子

動力接地銅排端子

Model Number	CB9		CB9A	
Terminal	Brass			
固定座材質	Phenolic, Black			
最大耐電壓	單排型: 20A 雙排型: 30A		150A	
Number of Poles	單排型 3P, 4P, 5P, 6P, 7P	雙排型 8P, 9P, 10P, 12P, 14P, 16P, 18P, 20P, 22P, 24P, 26P	單排型 5P, 6P, 7P	雙排型 8P, 10P, 12P, 14P, 16P, 18P, 20P, 22P, 24P, 26P

Electrical Components Serie

產品尺寸: 請來電洽詢!!

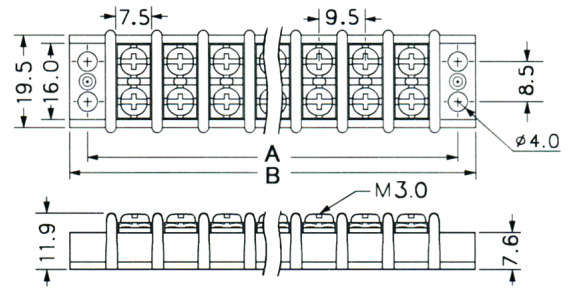
1. Product Type: Barrier Strip, Double Row
2. Insulation resistance: 500MΩ or more at DC500V
3. Wire Range: 12~18 AWG
4. Max. Torque Value: 10Kg/cm
5. Number of Rows: 2



Made in Taiwan

**CB4-10A**

Electrical Rating	10A, 300VAC
Housing Material	Plastic NYLON 66
Terminal	Brass, Nickel Plated
Screw	Steel, M3, Nickel Plated
Working Temperature	-40°C to +105°C
Insul. withstand Voltage	AC2000V at 1 min
Number of Poles	2P~28P
Pitch (terminal to terminal)	9.5mm



Unit : mm

Poles	2	3	4	5	6	7	8	9	10
A	28.5	38	47.5	57	66.5	76	85.5	95	104.5
B	36	45.5	55	64.5	74	83.5	93	102.5	112
Poles	11	12	13	14	15	16	17	18	19
A	114	123.5	133	142.5	152	161.5	171	180.5	190
B	121.5	131	140.5	150	159.5	169	178.5	188	197.5
Poles	20	21	22	23	24	25	26	27	28
A	199.5	209	218.5	228	237.5	247	256.5	266	275.5
B	207	216.5	226	235.5	245	254.5	264	273.5	283

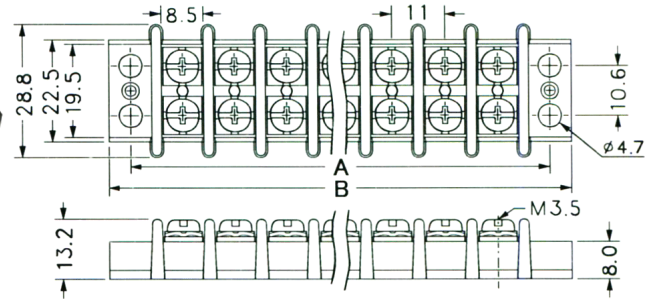
1. Product Type: Barrier Strip, Double Row
2. Insulation resistance: 500MΩ or more at DC500V
3. Wire Range: 12~18 AWG
4. Max. Torque Value: 12Kg/cm
5. Number of Rows: 2



Made in Taiwan

**CB4-20A**

Electrical Rating	20A, 300VAC
Housing Material	Plastic NYLON 66
Terminal	Brass, Nickel Plated
Screw	Steel, M3.5, Nickel Plated
Working Temperature	-40°C to +105°C
Insul. withstand Voltage	AC2000V at 1 min
Number of Poles	2P~26P
Pitch (terminal to terminal)	11mm



Unit : mm

Poles	2	3	4	5	6	7	8	9	10
A	33	44	55	66	77	88	99	110	121
B	41	52	63	74	85	96	107	118	129
Poles	11	12	13	14	15	16	17	18	19
A	132	143	154	165	176	187	198	209	220
B	140	151	162	173	184	195	206	217	228
Poles	20	21	22	23	24	25	26		
A	231	242	253	264	275	286	297		
B	239	250	261	272	283	294	305		

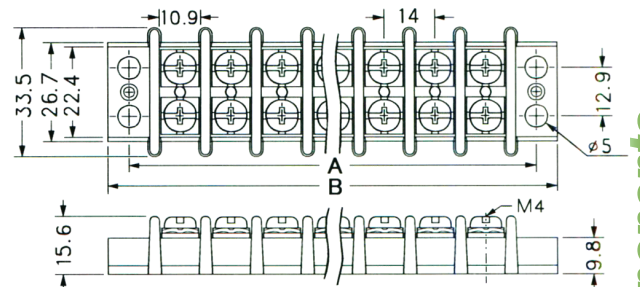
1. Product Type: Barrier Strip, Double Row
2. Insulation resistance: 500MΩ or more at DC500V
3. Wire Range: 12~18 AWG
4. Max. Torque Value: 18Kg/cm
5. Number of Rows: 2



Made in Taiwan

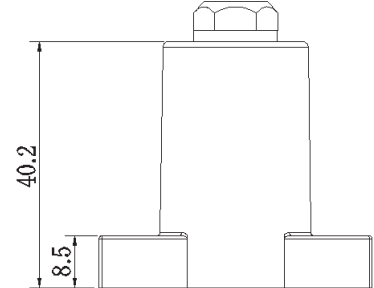
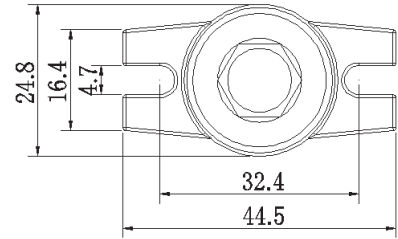
**CB4-30A**

Electrical Rating	30A, 300VAC
Housing Material	Plastic NYLON 66
Terminal	Brass, Nickel Plated
Screw	Steel, M4, Nickel Plated
Working Temperature	-40°C to +105°C
Insul. withstand Voltage	AC2000V at 1 min
Number of Poles	2P~24P
Pitch (terminal to terminal)	14mm



Unit : mm

Poles	2	3	4	5	6	7	8	9	10
A	42	56	70	84	98	112	126	140	154
B	52	66	80	94	108	122	136	150	164
Poles	11	12	13	14	15	16	17	18	19
A	168	182	196	210	224	238	252	266	280
B	178	192	206	220	234	248	262	276	290
Poles	20	21	22	23	24				
A	294	308	322	336	350				
B	304	318	332	346	360				



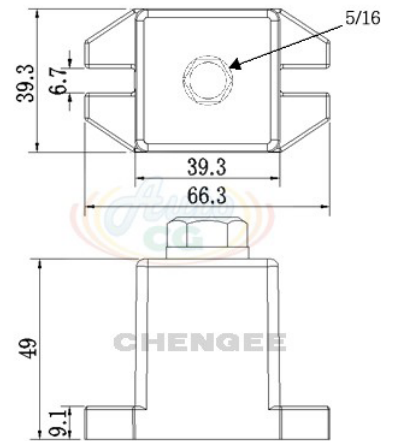
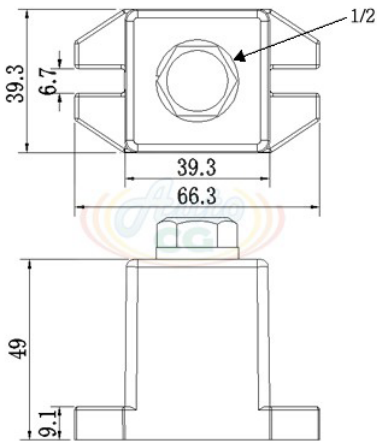
**CB8-T25**

Made in Taiwan

Housing Material Phenolic, Black

Screw Steel 5/16

Unit : mm



**CB8-T40-C1**

Made in Taiwan

Phenolic, Black

Steel 1/2

Housing Material

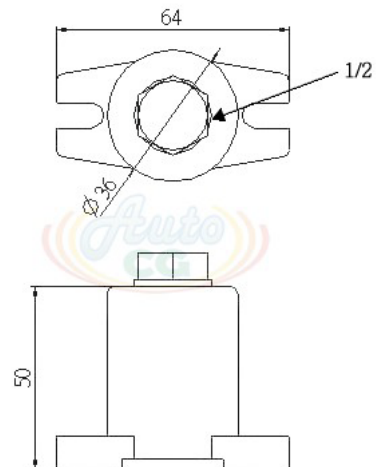
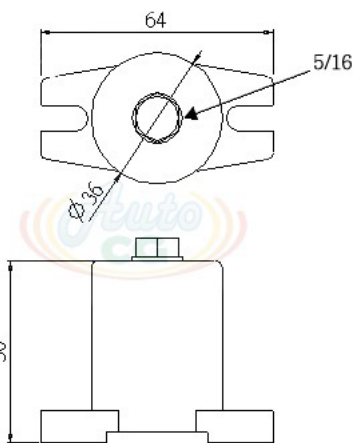
Screw

**CB8-T40-C2**

Phenolic, Black

Steel 5/16

Unit : mm



**CB8-T40-C3**

Made in Taiwan

Phenolic, Black

Steel 5/16

Housing Material

Screw

**CB8-T40-C4**

Phenolic, Black

Steel 1/2

Unit : mm