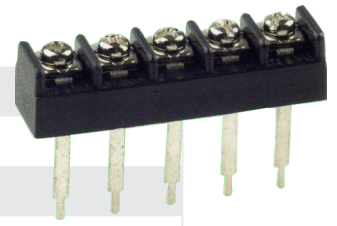


CBP10 Series Barrier Strip Terminal Blocks

Pitch : 10mm

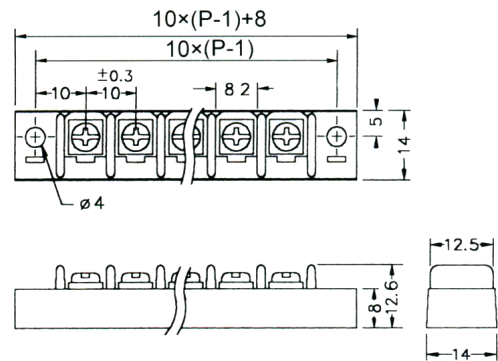
Poles : 2P~28P

Electrical Rating	15A 300VAC
Housing Material	PA66, Black
Terminal	Brass, 0.8t Tin Plated
Screw	Steel, M3, Nickel Plated
Working Temperature	-40°C to +105°C
Insulation withstand Voltage	AC2000V at 1 min
Insulation resistance	500MΩ or more at DC 500V
Wire Range	22~12 AWG
Max. Torque Value	10Kg/cm

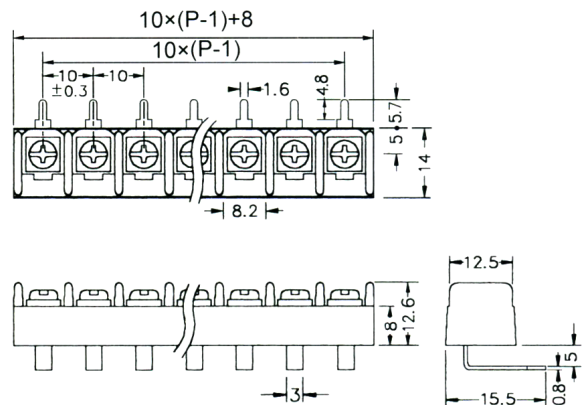
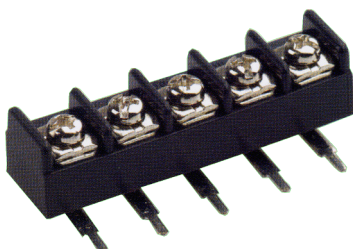


Unit : mm

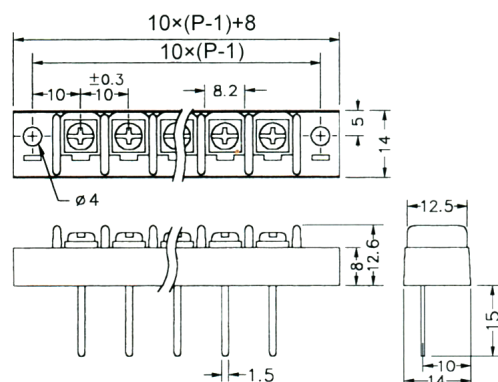
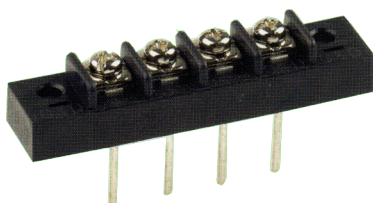
CBP10-01



CBP10-02

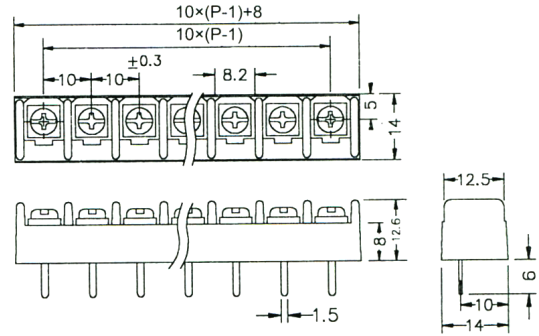
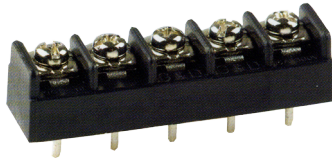


CBP10-03

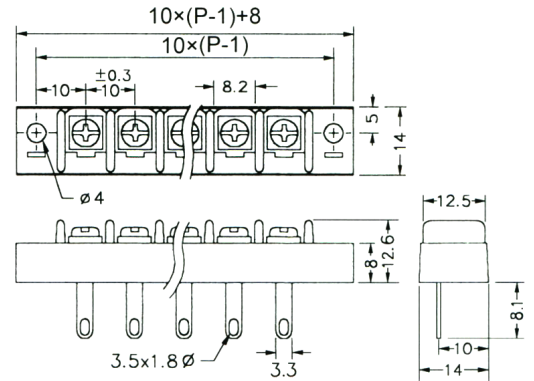
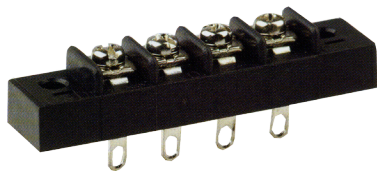


Unit : mm

CBP10-04

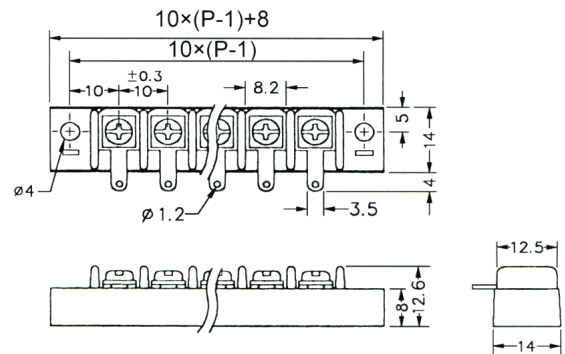
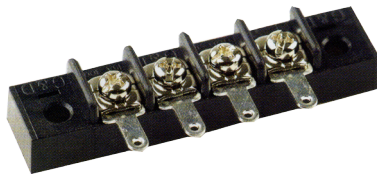


CBP10-05

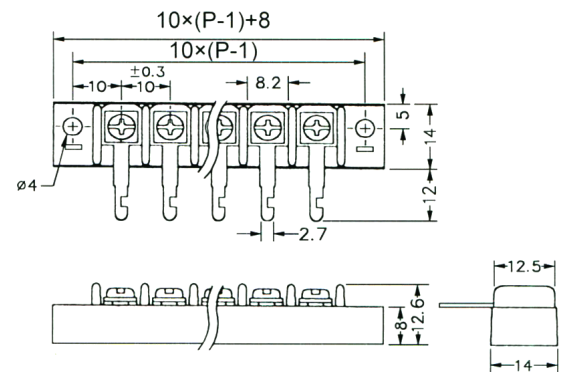
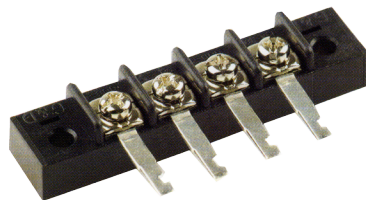


Unit : mm

CBP10-07



CBP10-08



Unit : mm

CBP20 Series Barrier Strip Terminal Blocks

Pitch : 9.5mm

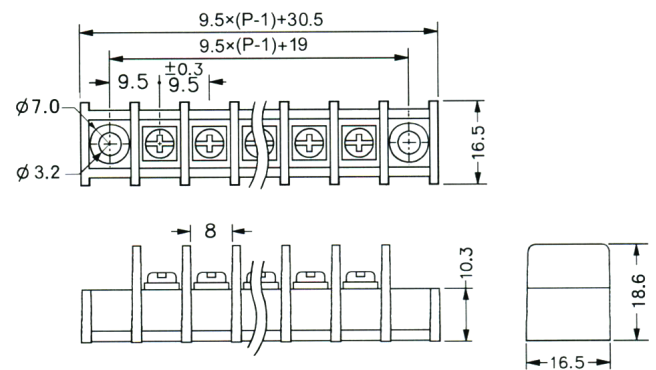
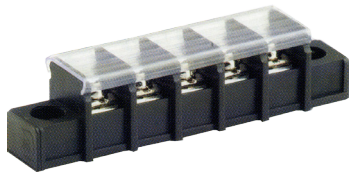
Poles : 2P~32P

Cover Available

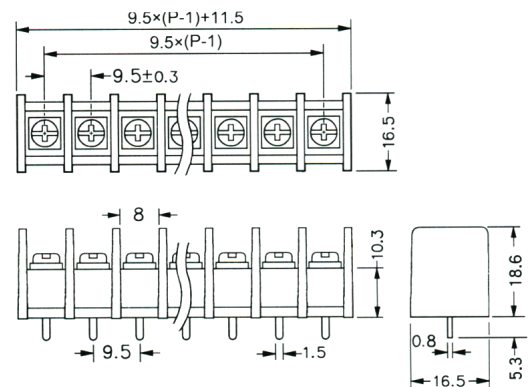
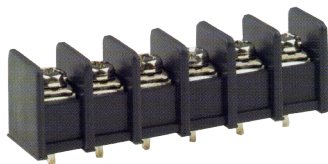
Electrical Rating	15A 300VAC
Housing Material	PA66, Black
Terminal	Brass, 0.8t Tin Plated
Screw	Steel, M3.5, Nickel Plated
Working Temperature	-40°C to +105°C
Insulation withstand Voltage	AC2000V at 1 min
Insulation resistance	500MΩ or more at DC 500V
Wire Range	22~12 AWG
Max. Torque Value	12Kg/cm

Unit : mm

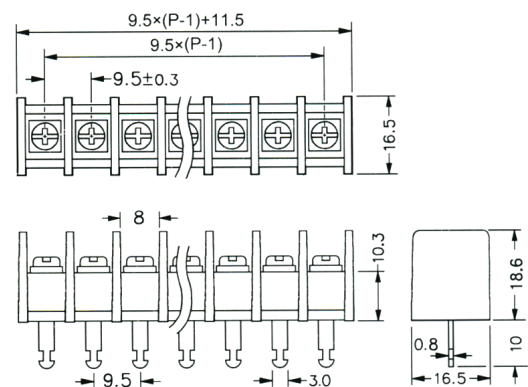
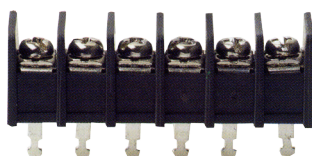
CBP20-01



CBP20-02

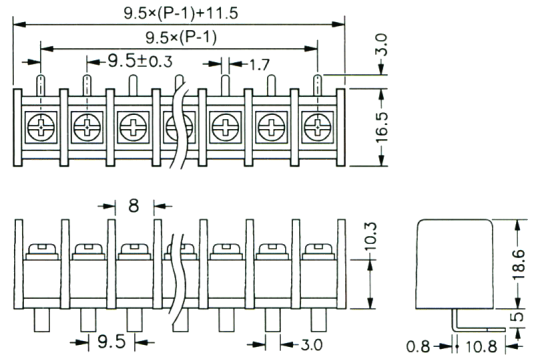
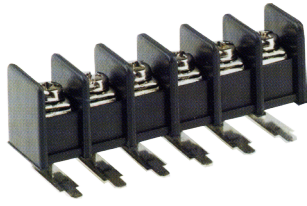


CBP20-03

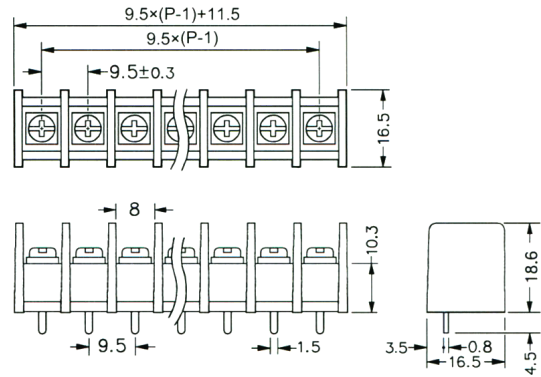
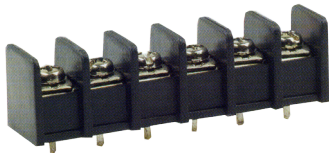


Unit : mm

CBP20-04

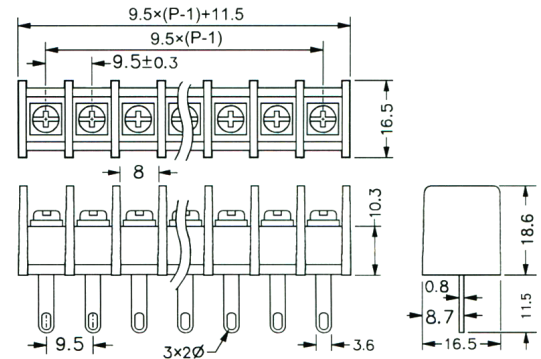
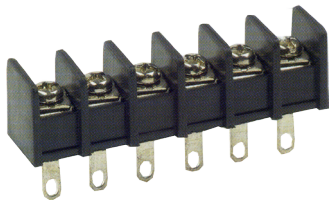


CBP20-05

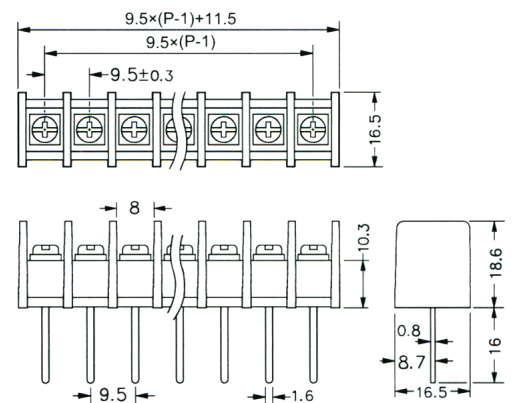
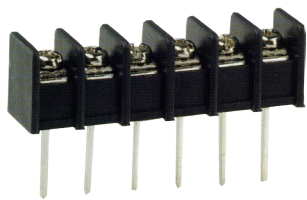


Unit : mm

CBP20-06



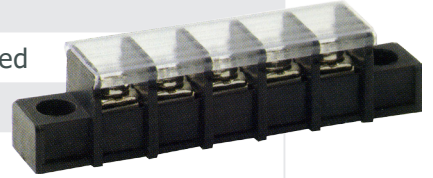
CBP20-07



Unit : mm

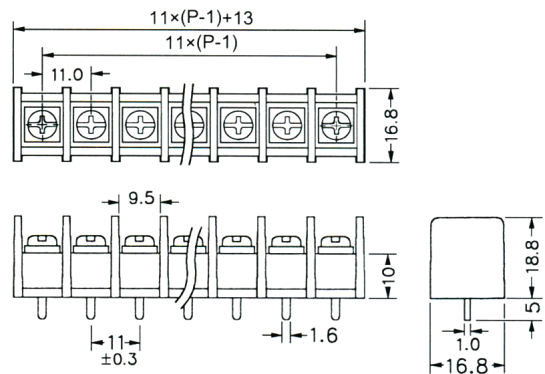
CBP30 Series Barrier Strip Terminal Blocks

Pitch : 11mm	Poles : 2P~29P	Cover Available
Electrical Rating	30A 300VAC	
Housing Material	PA66, Black	
Terminal	Brass, 1.0t Tin Plated	
Screw	Steel, M4, Nickel Plated	
Working Temperature	-40°C to +105°C	
Insulation withstand Voltage	AC2000V at 1 min	
Insulation resistance	500MΩ or more at DC 500V	
Wire Range	22~12 AWG	
Max. Torque Value	18Kg/cm	

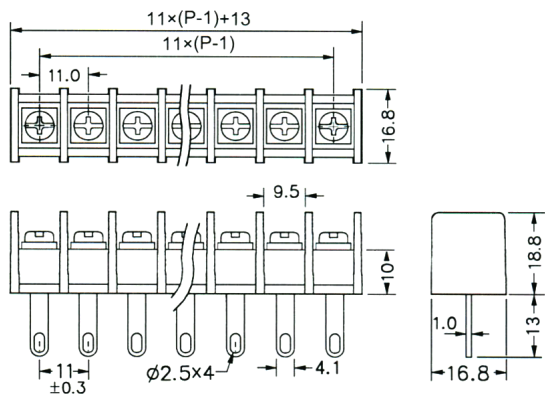
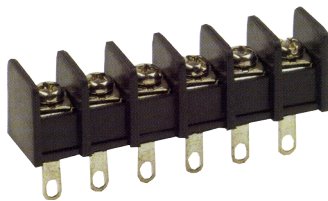


Unit : mm

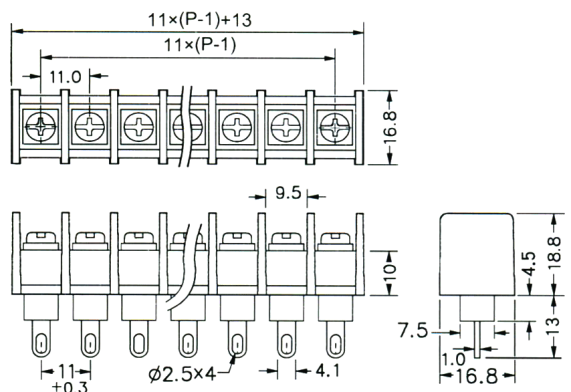
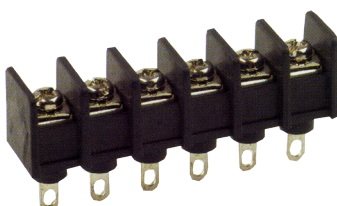
CBP30-01



CBP30-02

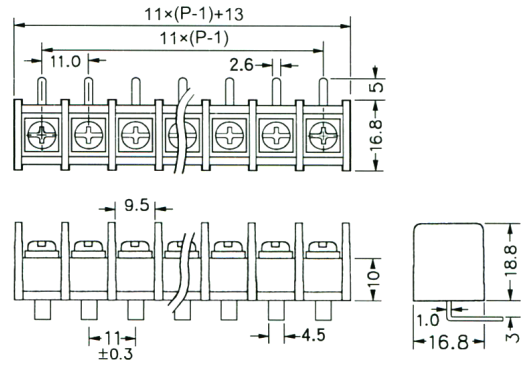
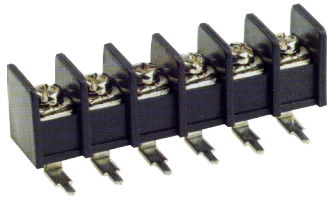


CBP30-03

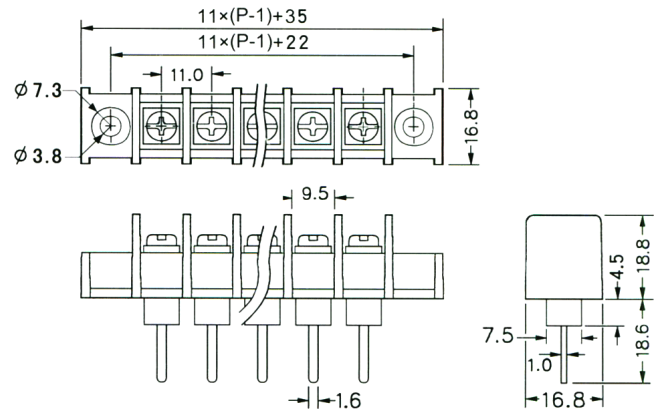
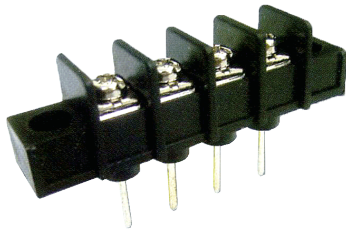


Unit : mm

CBP30-04



CBP30-05



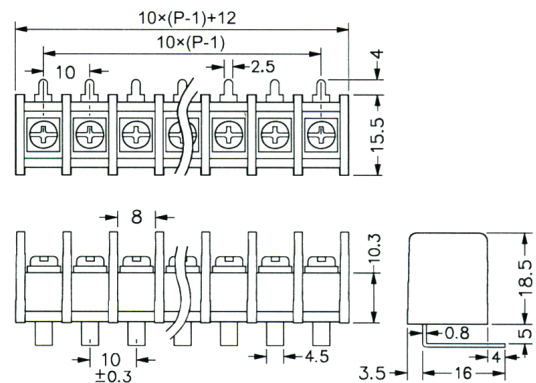
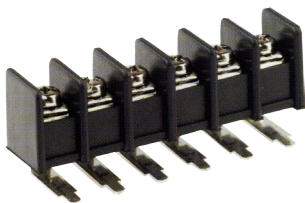
Unit : mm

CBP40 Series Barrier Strip Terminal Blocks

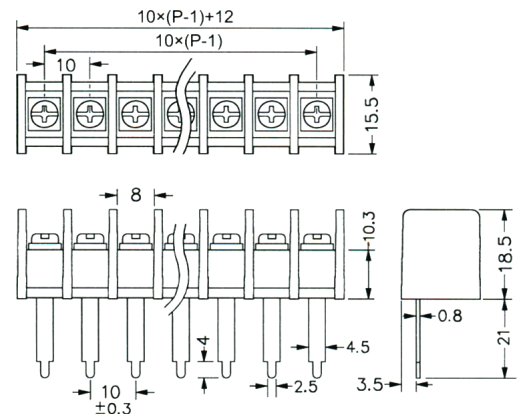
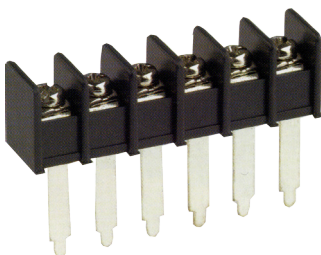
Pitch : 10mm	Poles : 2P~30P	Cover Available
Electrical Rating	20A 300VAC	
Housing Material	PA66, Black	
Terminal	Brass, 0.8t Tin Plated	
Screw	Steel, M3.5, Nickel Plated	
Working Temperature	-40°C to +105°C	
Insulation withstand Voltage	AC2000V at 1 min	
Insulation resistance	500MΩ or more at DC 500V	
Wire Range	22~12 AWG	
Max. Torque Value	12Kg/cm	

Unit : mm

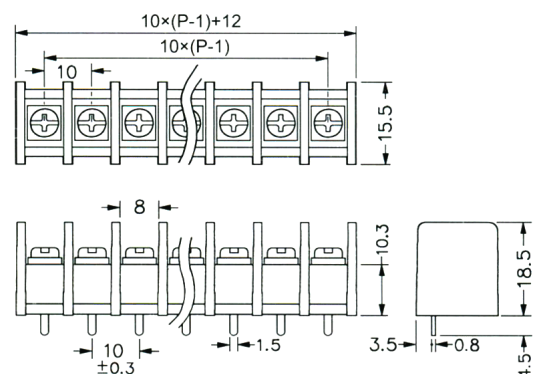
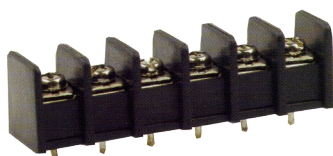
CBP40-01



CBP40-02

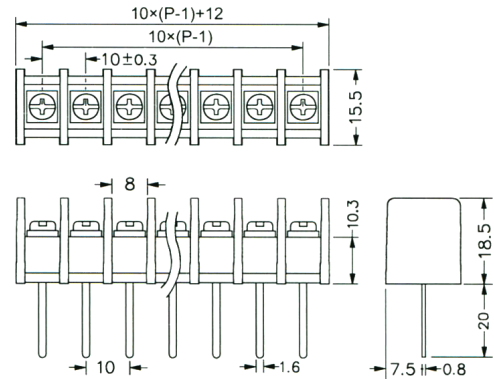
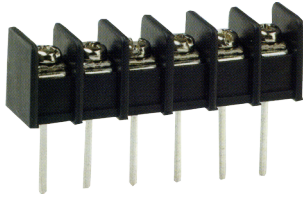


CBP40-03

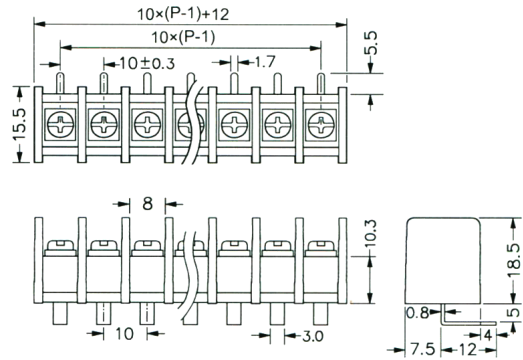
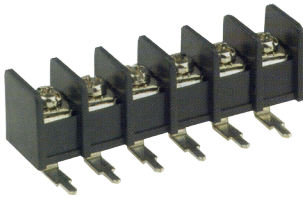


Unit : mm

CBP40-04

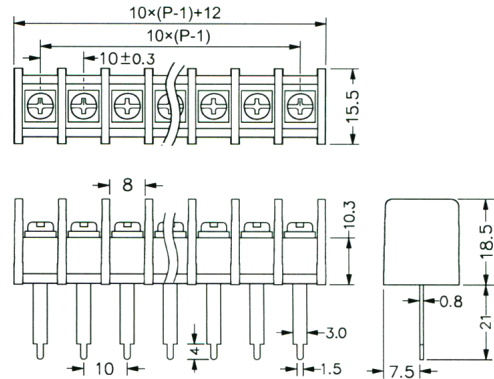
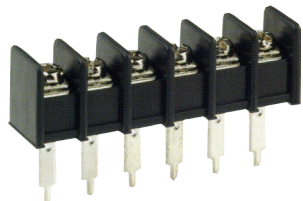


CBP40-05

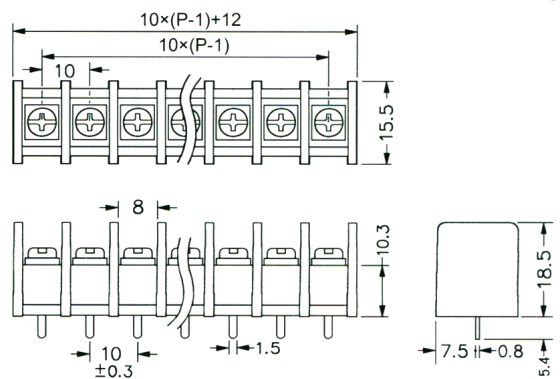
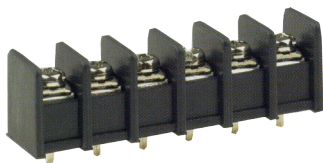


Unit : mm

CBP40-06

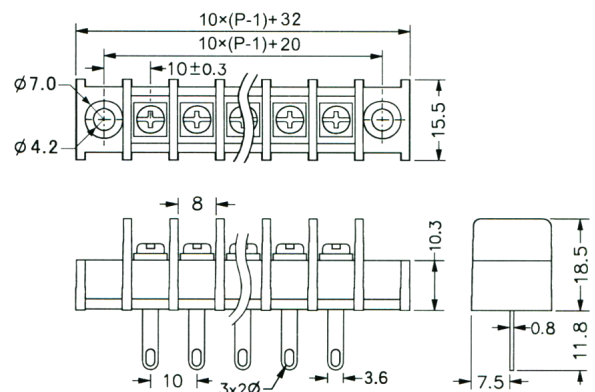
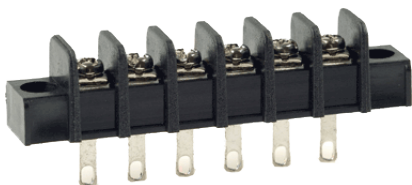


CBP40-07



Unit : mm

CBP40-08



Unit : mm

CBP60 Series Barrier Strip Terminal Blocks

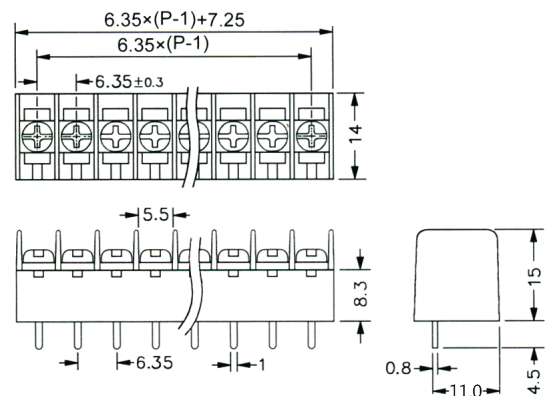
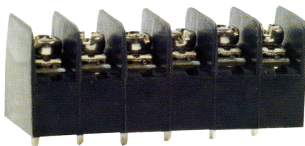
Pitch : 6.35mm

Poles : 2P~32P

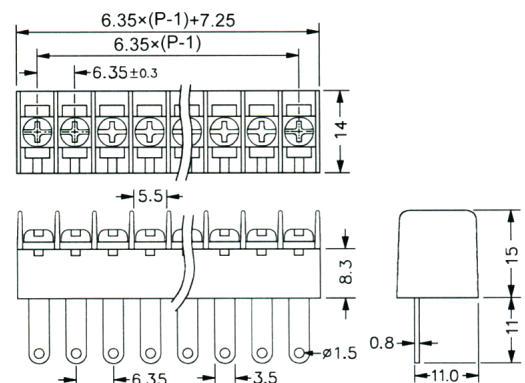
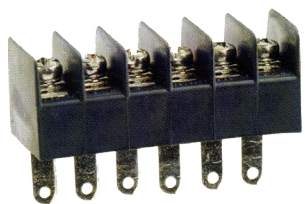
Electrical Rating	10A 300VAC
Housing Material	PA66, Black
Terminal	Brass, 0.8t Tin Plated
Screw	Steel, M3, Nickel Plated
Working Temperature	-40°C to +105°C
Insulation withstand Voltage	AC2000V at 1 min
Insulation resistance	500MΩ or more at DC 500V
Wire Range	22~12 AWG
Max. Torque Value	10Kg/cm

Unit : mm

CBP60-01



CBP60-02



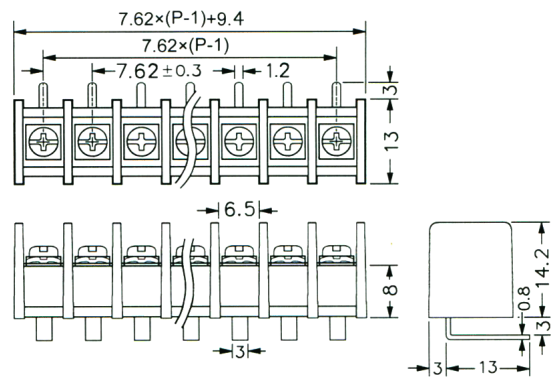
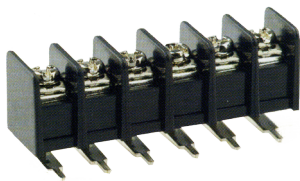
Unit : mm

CBP70 Series Barrier Strip Terminal Blocks

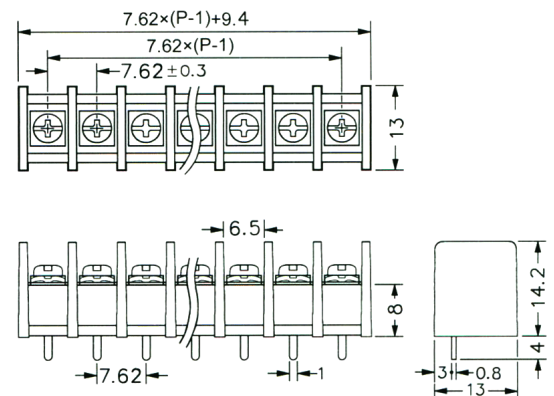
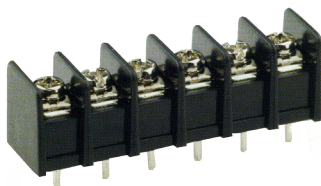
Pitch : 7.62mm	Poles : 2P~32P	Cover Available
Electrical Rating	10A 300VAC	
Housing Material	PA66, Black	
Terminal	Brass, 0.8t Tin Plated	
Screw	Steel, M3, Nickel Plated	
Working Temperature	-40°C to +105°C	
Insulation withstand Voltage	AC2000V at 1 min	
Insulation resistance	500MΩ or more at DC 500V	
Wire Range	22~12 AWG	
Max. Torque Value	10Kg/cm	

Unit : mm

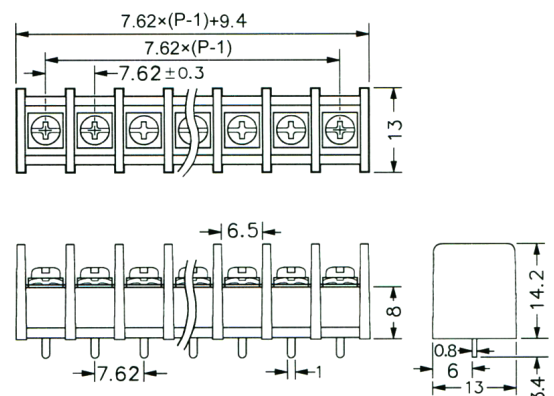
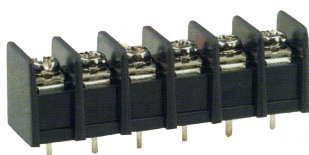
CBP70-01



CBP70-02

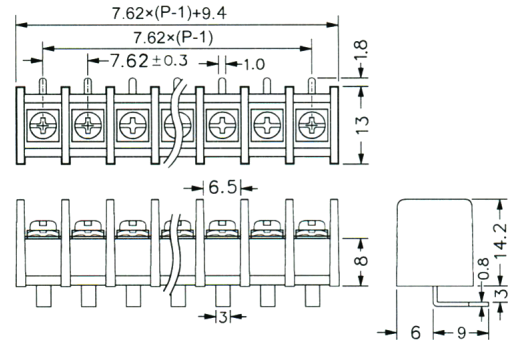
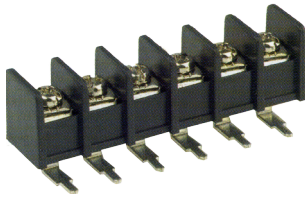


CBP70-03

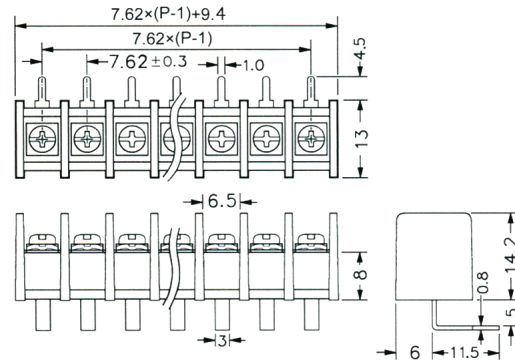
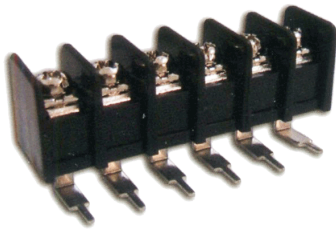


Unit : mm

CBP70-04A

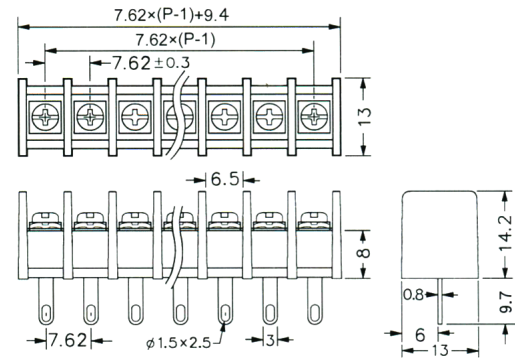
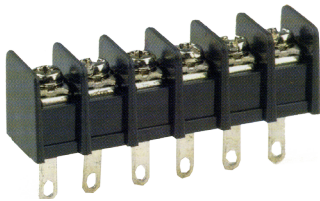


CBP70-04B

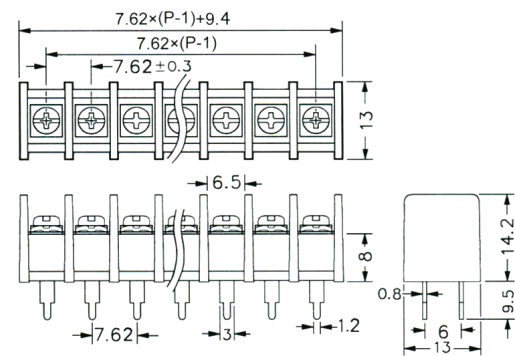
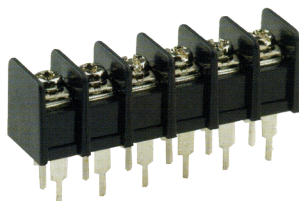


Unit : mm

CBP70-05

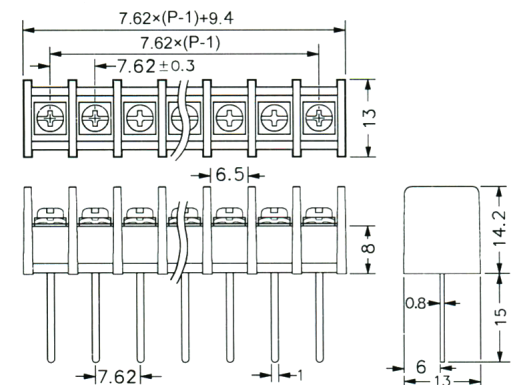
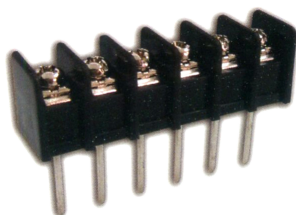


CBP70-06



Unit : mm

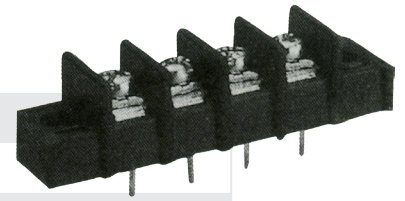
CBP70-07



Unit : mm

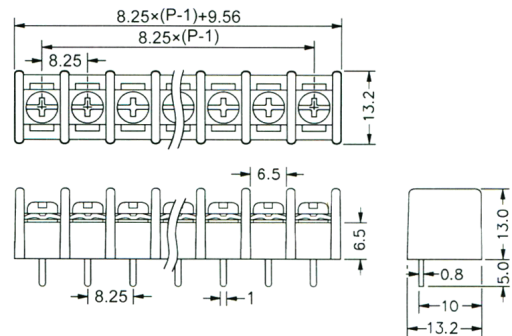
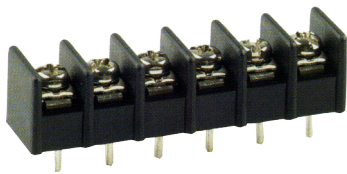
CBP100 Series Barrier Strip Terminal Blocks

Pitch : 8.25mm	Poles : 2P~32P
Electrical Rating	15A 300VAC
Housing Material	PA66, Black
Terminal	Brass, 0.8t Tin Plated
Screw	Steel, M3, Nickel Plated
Working Temperature	-40°C to +105°C
Insulation withstand Voltage	AC2000V at 1 min
Insulation resistance	500MΩ or more at DC 500V
Wire Range	22~12 AWG
Max. Torque Value	10Kg/cm

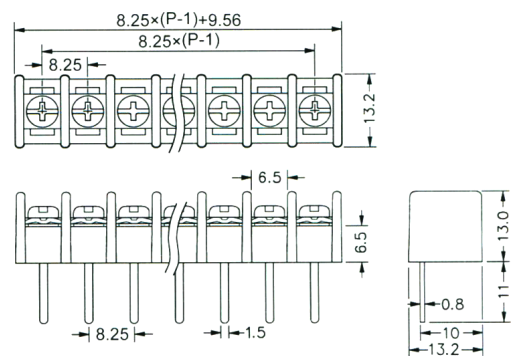
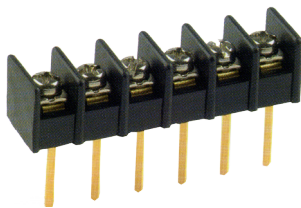


Unit : mm

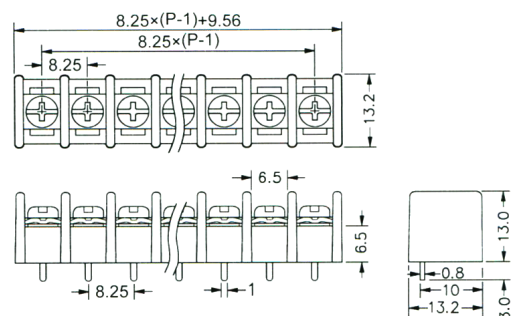
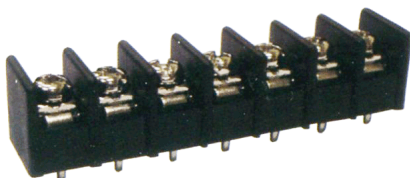
CBP100-01



CBP100-02



CBP100-03



Unit : mm

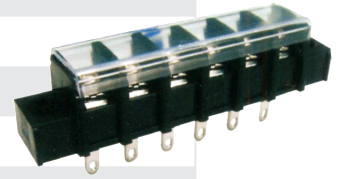
CBP210 Series Barrier Strip Terminal Blocks

Pitch : 8.25mm

Poles : 2P~32P

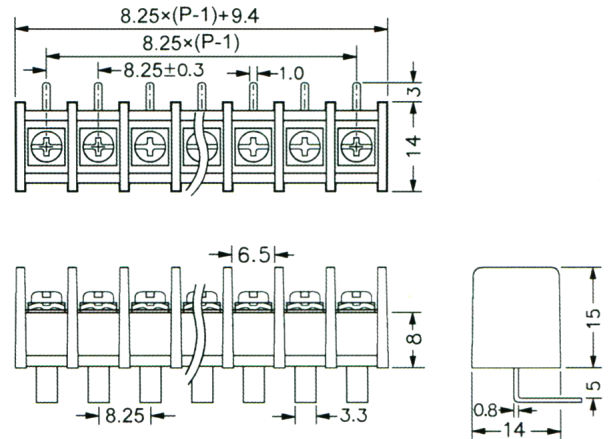
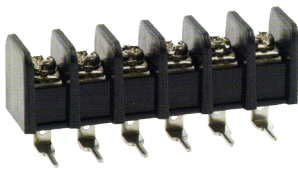
Cover Available

Electrical Rating	15A 300VAC
Housing Material	PA66, Black
Terminal	Brass, 0.8t Tin Plated
Screw	Steel, M3, Nickel Plated
Working Temperature	-40°C to +105°C
Insulation withstand Voltage	AC2000V at 1 min
Insulation resistance	500MΩ or more at DC 500V
Wire Range	22~12 AWG
Max. Torque Value	10Kg/cm

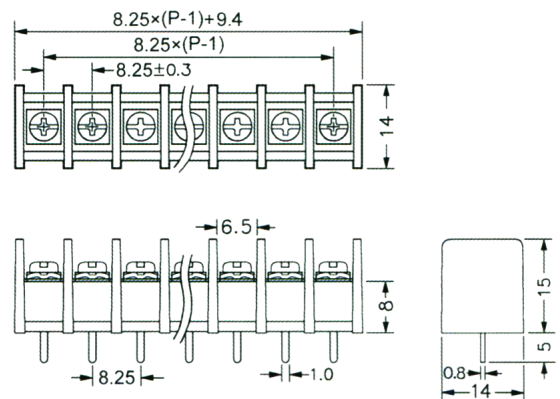
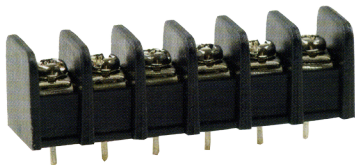


Unit : mm

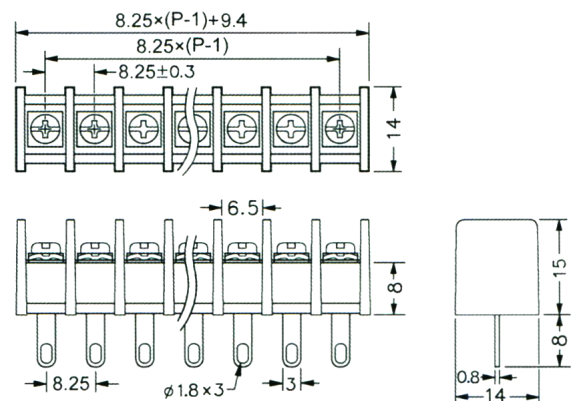
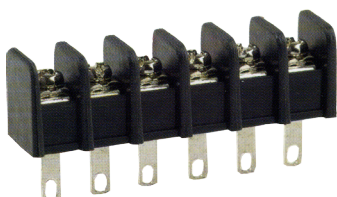
CBP210-01



CBP210-02

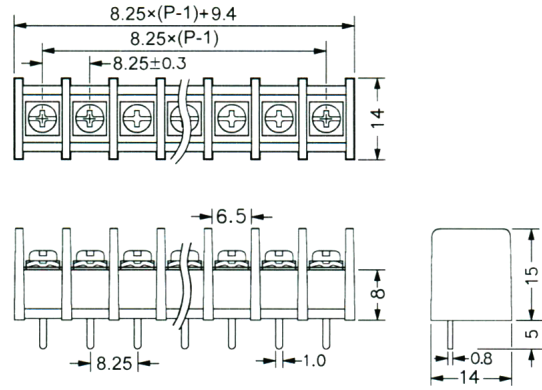
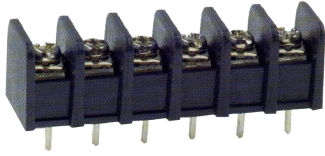


CBP210-03

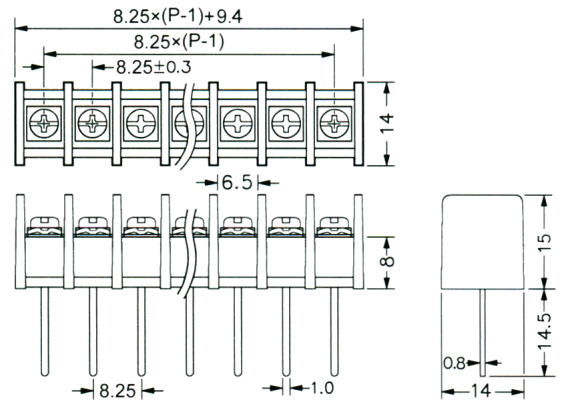
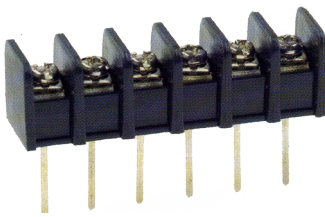


Unit : mm

CBP210-04



CBP210-05



Unit : mm

CBP50 Series Tri-Barrier Strip Terminal Blocks

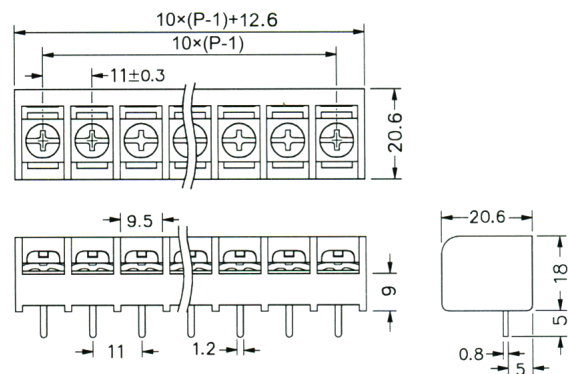
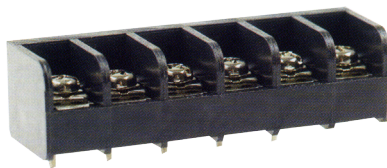
Pitch : 11mm

Poles : 2P~32P

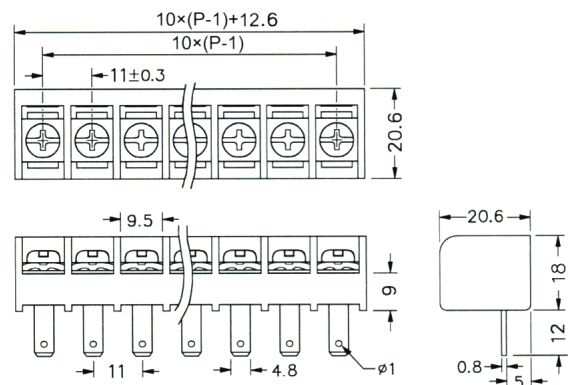
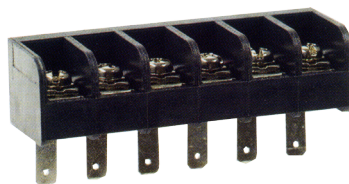
Electrical Rating	15A 300VAC
Housing Material	PA66, Black
Terminal	Brass, 0.8t Tin Plated
Screw	Steel, M4, Nickel Plated
Working Temperature	-40°C to +105°C
Insulation withstand Voltage	AC2000V at 1 min
Insulation resistance	500MΩ or more at DC 500V
Wire Range	22~12 AWG
Max. Torque Value	18Kg/cm

Unit : mm

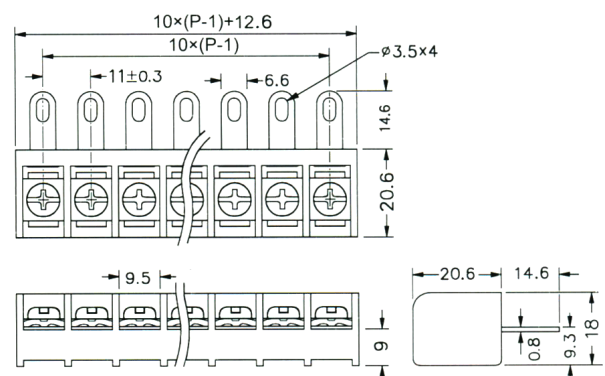
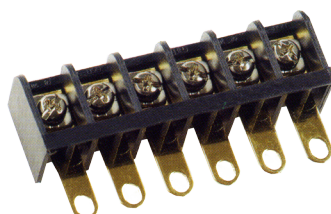
CBP50-01



CBP50-02

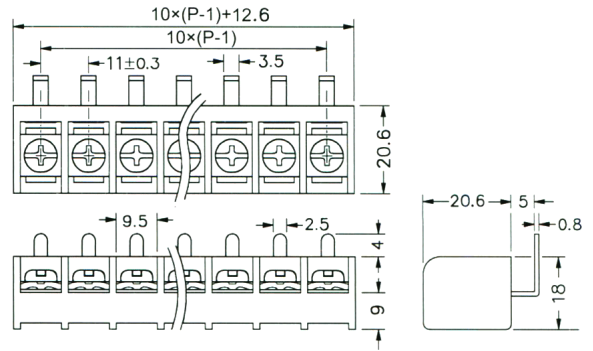
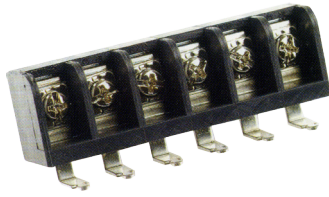


CBP50-03

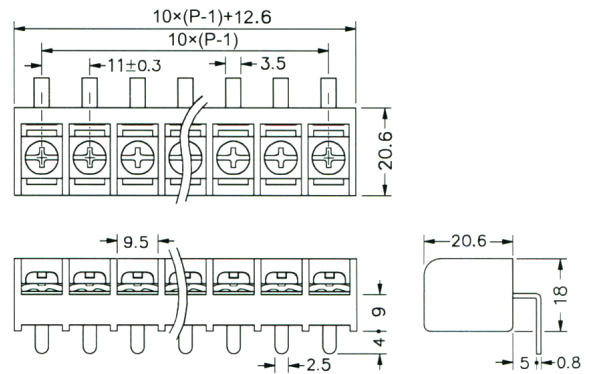
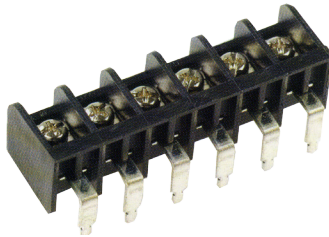


Unit : mm

CBP50-04



CBP50-05



Unit : mm

CBP80 Series Tri-Barrier Strip Terminal Blocks

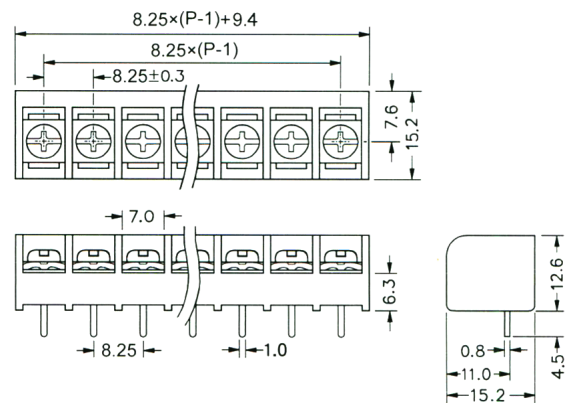
Pitch : 8.25mm

Poles : 2P~32P

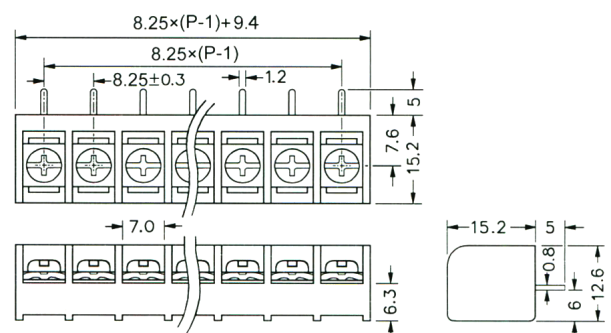
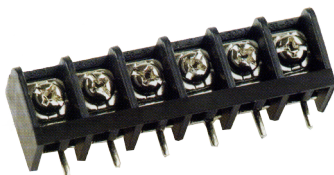
Electrical Rating	15A 300VAC
Housing Material	PA66, Black
Terminal	Brass, 0.8t Tin Plated
Screw	Steel, M3, Nickel Plated
Working Temperature	-40°C to +105°C
Insulation withstand Voltage	AC2000V at 1 min
Insulation resistance	500MΩ or more at DC 500V
Wire Range	22~12 AWG
Max. Torque Value	10Kg/cm

Unit : mm

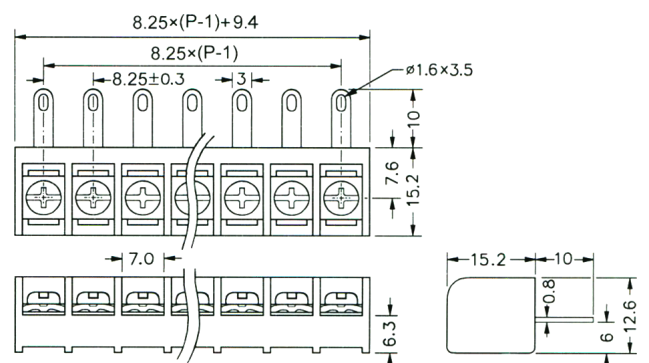
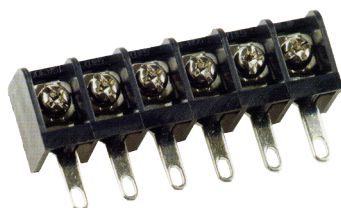
CBP80-01



CBP80-02

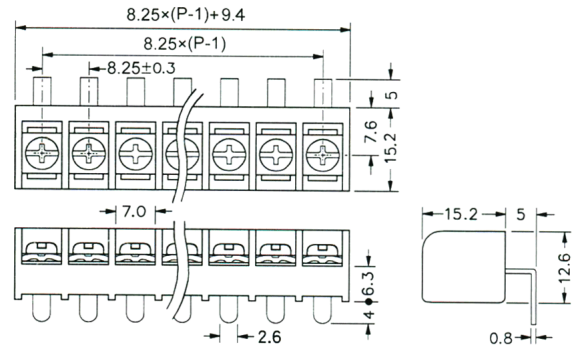
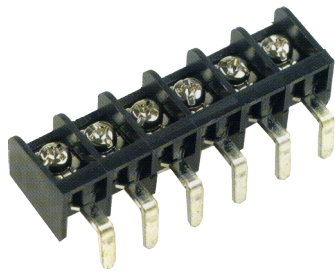


CBP80-03

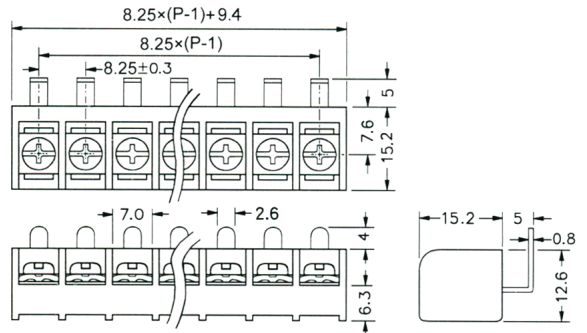
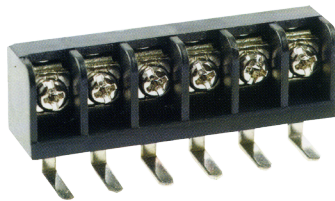


Unit : mm

CBP80-04



CBP80-05



Unit : mm

CBP90 Series Tri-Barrier Strip Terminal Blocks

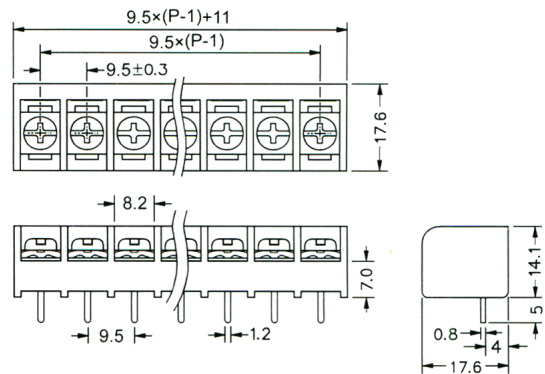
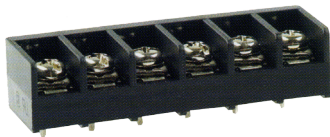
Pitch : 9.5mm

Poles : 2P~32P

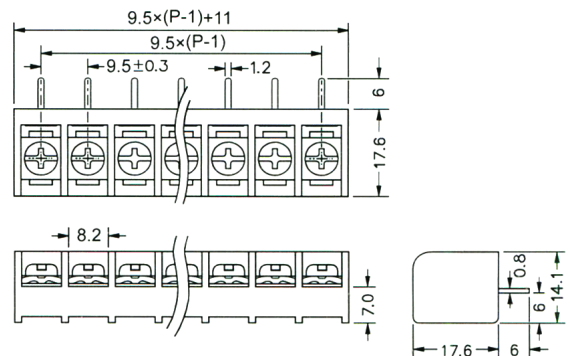
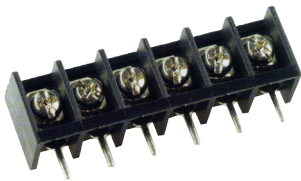
Electrical Rating	15A 300VAC
Housing Material	PA66, Black
Terminal	Brass, 0.8t Tin Plated
Screw	Steel, M3.5, Nickel Plated
Working Temperature	-40°C to +105°C
Insulation withstand Voltage	AC2000V at 1 min
Insulation resistance	500MΩ or more at DC 500V
Wire Range	22~12 AWG
Max. Torque Value	12Kg/cm

Unit : mm

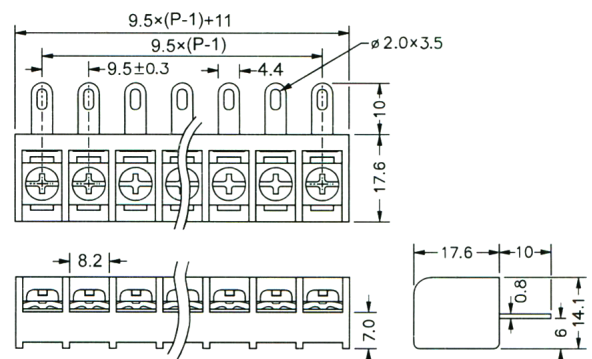
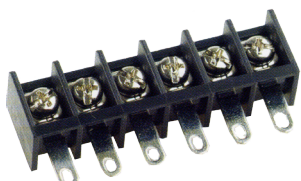
CBP90-01



CBP90-02

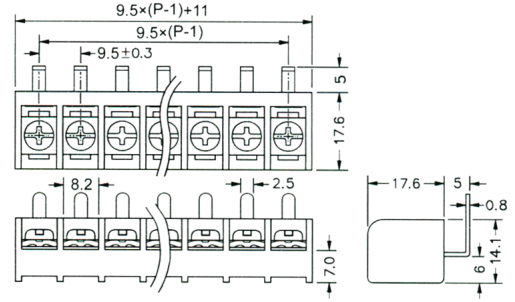
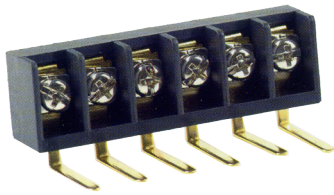


CBP90-03

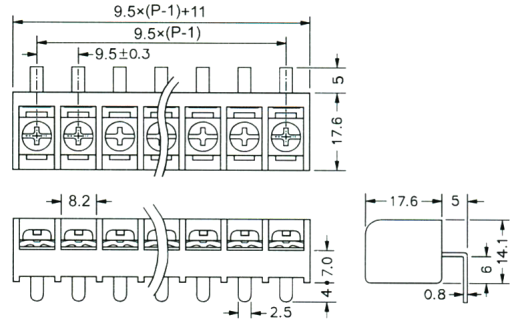
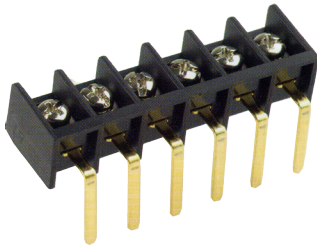


Unit : mm

CBP90-04

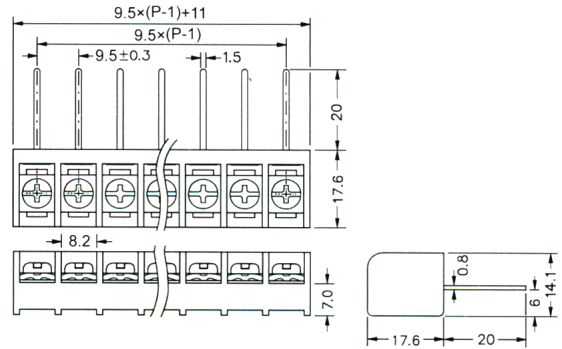
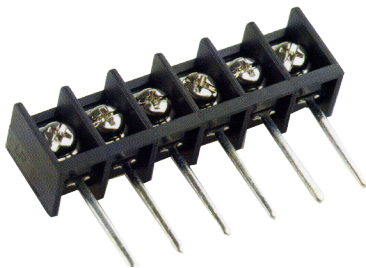


CBP90-05

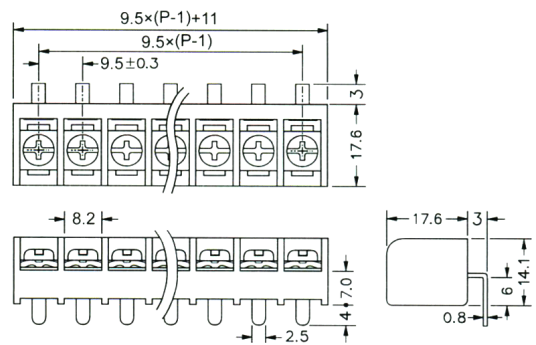
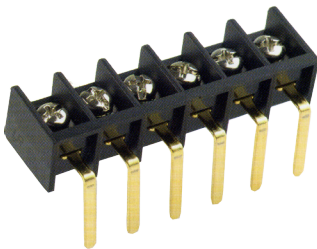


Unit : mm

CBP90-06

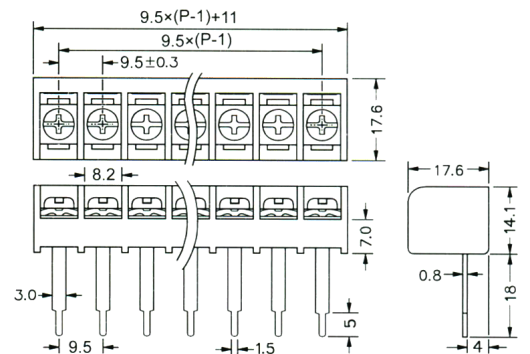
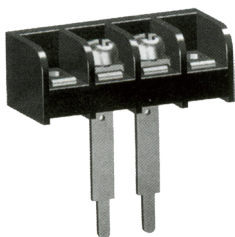


CBP90-07



Unit : mm

CBP90-08



Unit : mm

CBP140 Series Tri-Barrier Strip Terminal Blocks

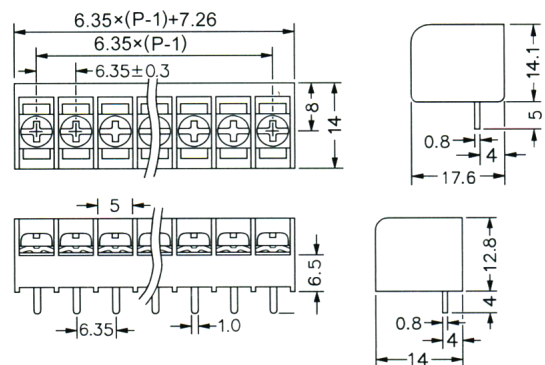
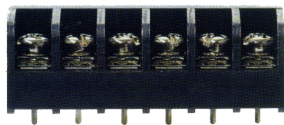
Pitch : 6.35mm

Poles : 2P~32P

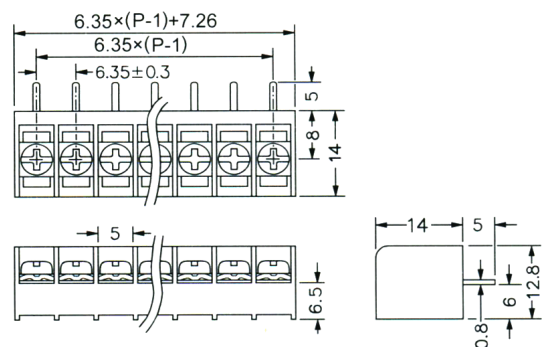
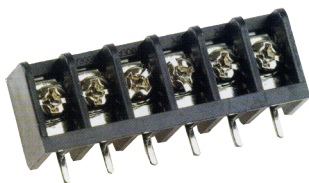
Electrical Rating	10A 300VAC
Housing Material	PA66, Black
Terminal	Brass, 0.8t Tin Plated
Screw	Steel, M3, Nickel Plated
Working Temperature	-40°C to +105°C
Insulation withstand Voltage	AC2000V at 1 min
Insulation resistance	500MΩ or more at DC 500V
Wire Range	22~12 AWG
Max. Torque Value	10Kg/cm

Unit : mm

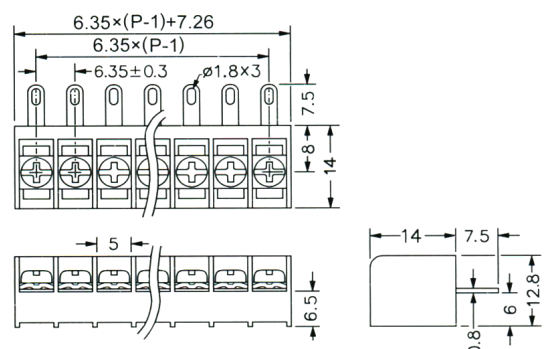
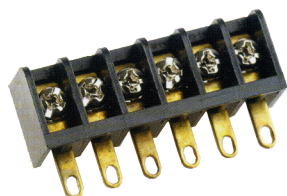
CBP140-01



CBP140-02

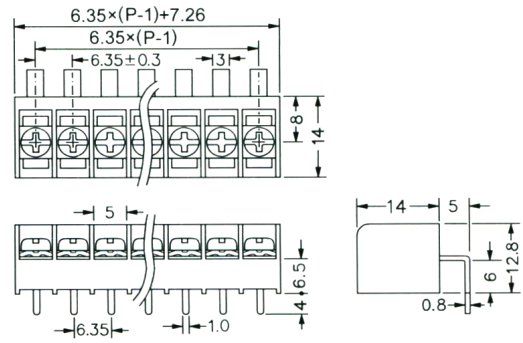
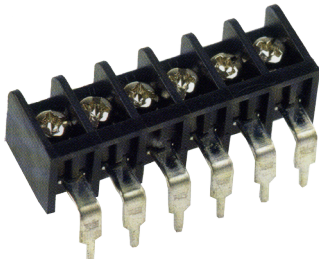


CBP140-03



Unit : mm

CBP140-04



Unit : mm

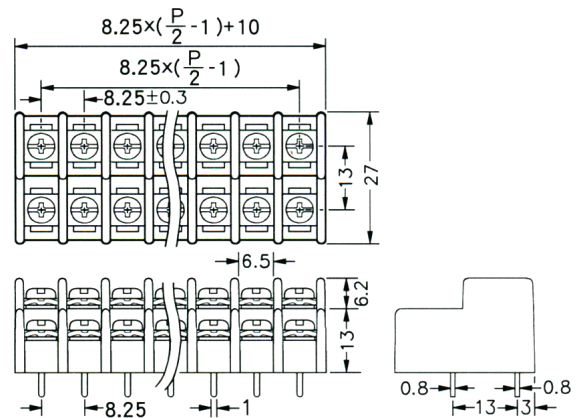
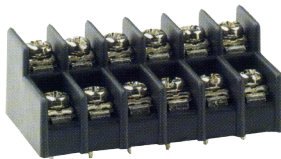
CBP110 Series Dual Level PCB Barrier Terminal Blocks

Pitch : 8.25mm

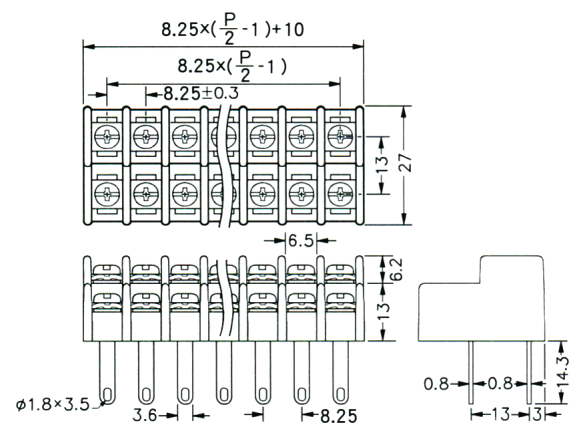
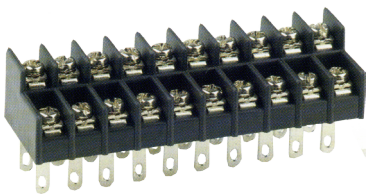
Poles : 2Px2P~2Px26P

Electrical Rating	15A 300VAC
Housing Material	PA66, Black
Terminal	Brass, 0.8t Tin Plated
Screw	Steel, M3, Nickel Plated
Working Temperature	-40°C to +105°C
Insulation withstand Voltage	AC2000V at 1 min
Insulation resistance	500MΩ or more at DC 500V
Wire Range	22~12 AWG
Max. Torque Value	10Kg/cm

CBP110-01



CBP110-02



Unit : mm

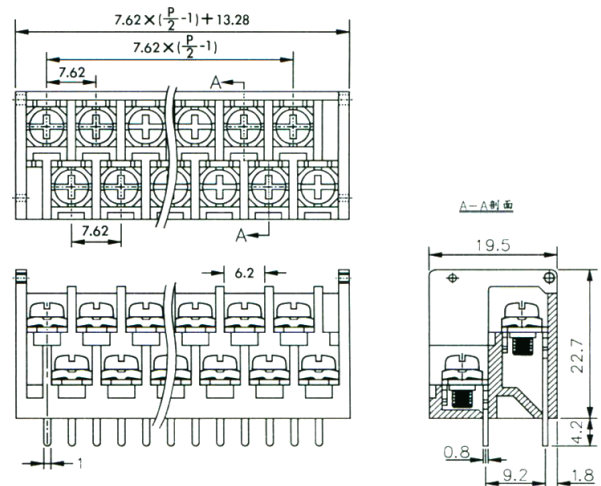
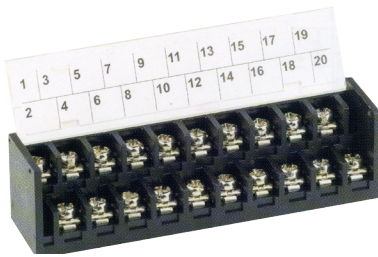
CBP120 Series Dual Level PCB Barrier Terminal Blocks

Pitch : 7.62mm

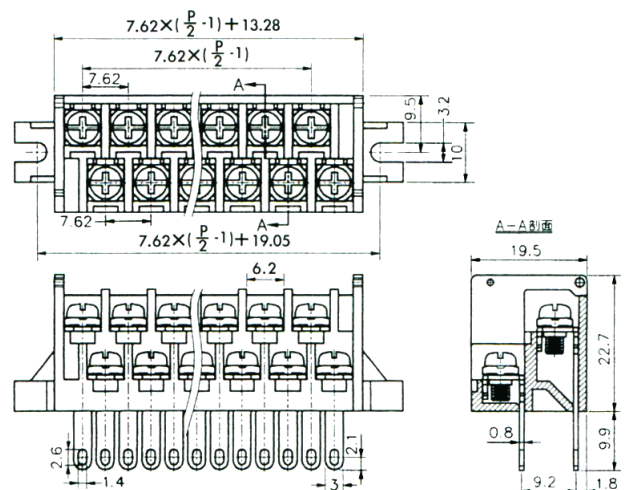
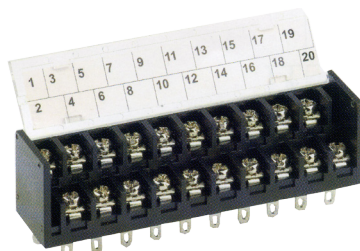
Poles : 2Px2P~2Px30P Cover Available

Electrical Rating	15A 300VAC
Housing Material	PBT, Black
Terminal	Brass, 0.8t Tin Plated
Screw	Steel, M3, Nickel Plated
Working Temperature	-40°C to +130°C
Insulation withstand Voltage	AC2000V at 1 min
Insulation resistance	500MΩ or more at DC 500V
Wire Range	22~14 AWG
Max. Torque Value	8Kg/cm

CBP120-01



CBP120-02



Unit : mm

CBP1-381 Pluggable Terminal Blocks

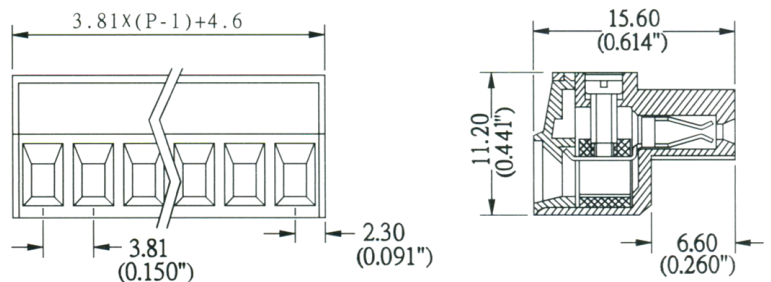
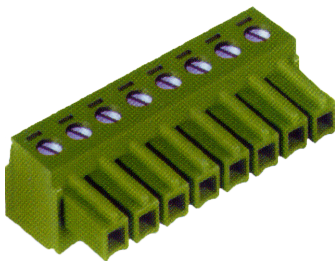
Pitch : 3.81mm

Poles : 2P~16P

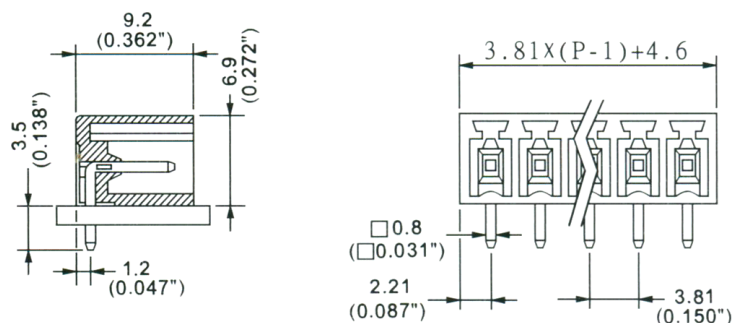
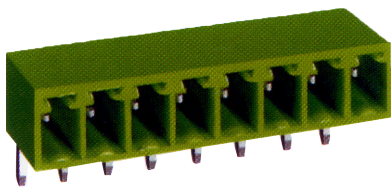
Electrical Rating	10A 300VAC
Housing Material	Polyamide 66, Green
Contact	Phosphor Bronze, 0.3t, Nickel Plated
Cage clamp	Brass, 0.7t, Nickel Plated
Screw	M2.0, Steel, Zine Plated
Solder Pin	0.8mm Brass, Tin Plated
Working Temperature	-40°C to +105°C
Insulation withstand Voltage	AC2000V/min
Insulation resistance	500MΩ or more at DC 500V
Wire Range	26~16 AWG
Screw Torque Value	3Kg/cm

Unit : mm

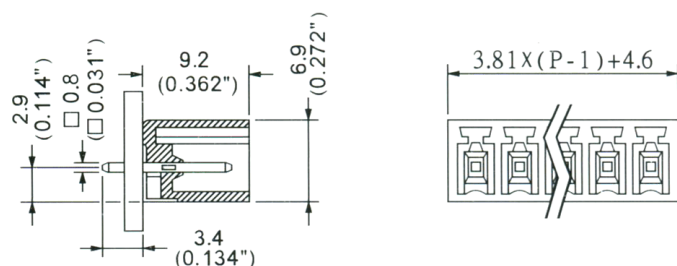
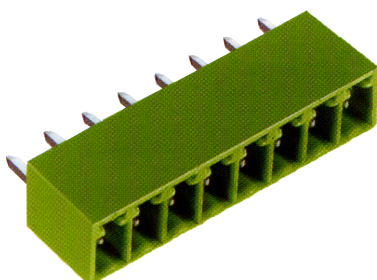
CBP1-381K



CBP1-381R

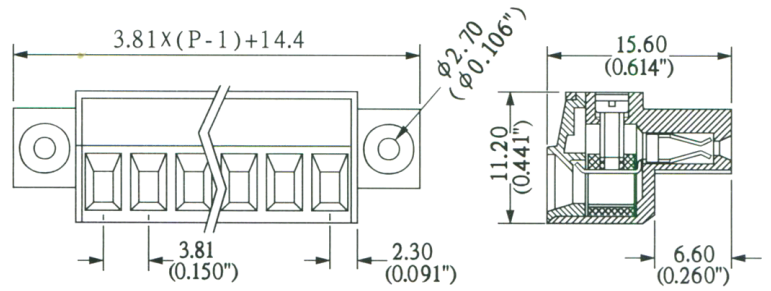
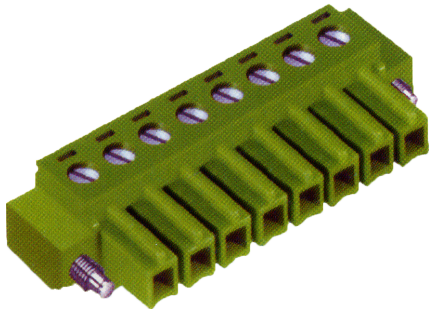


CBP1-381V



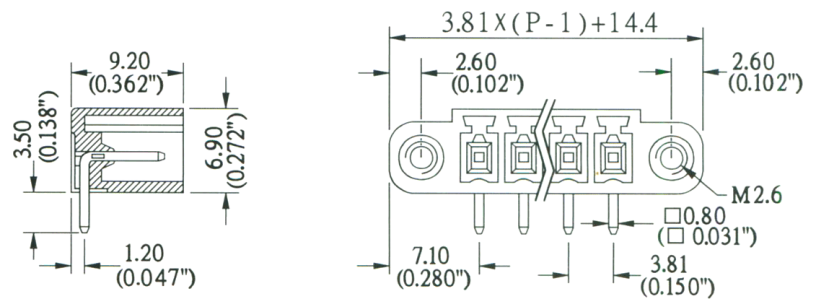
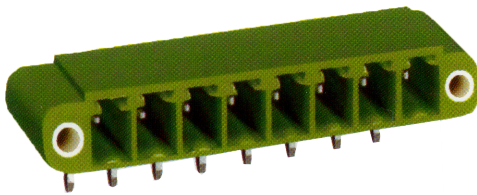
Unit : mm

CBP1-381AK

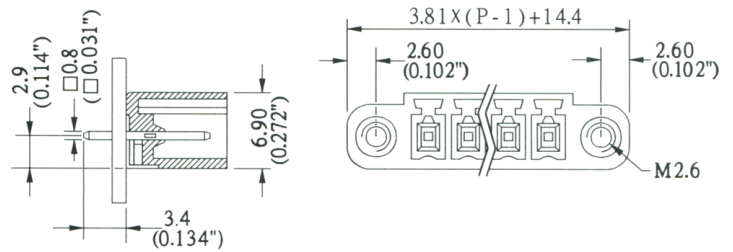
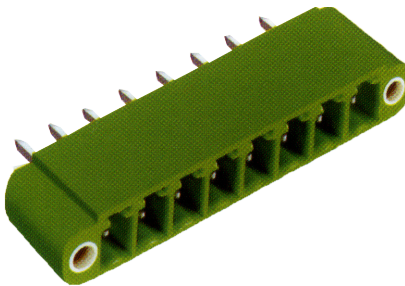


CBP1-381AR

Unit : mm



CBP1-381AV



Unit : mm

CBP1-80 Pluggable Terminal Blocks

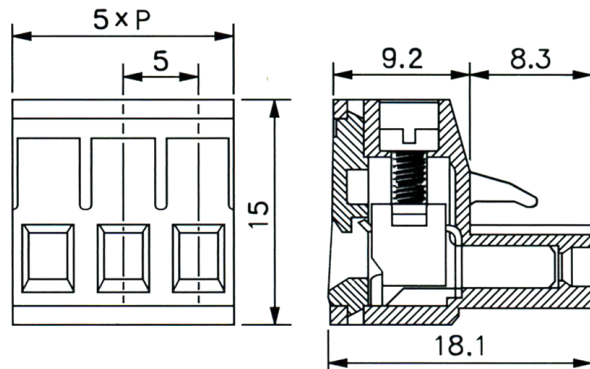
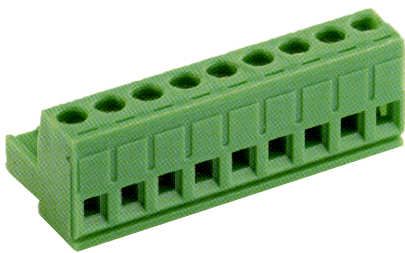
Pitch : 5mm

Poles : 2P~16P

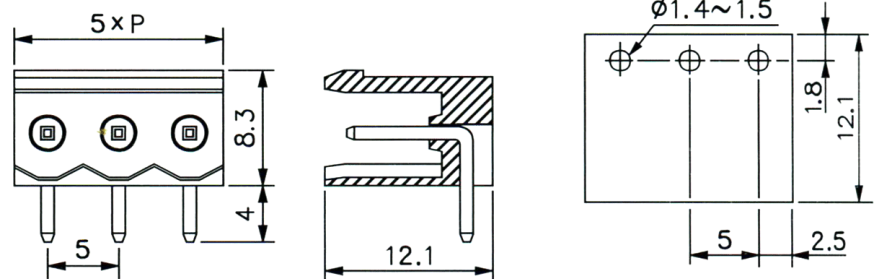
Electrical Rating	10A 300VAC
Housing Material	Polyamide 66, Green
Contact	Phosphor Bronze, 0.4t, Nickel Plated
Cage clamp	Brass, 0.7t, Nickel Plated
Screw	M2.6, Steel, Zine Plated
Solder Pin	Brass, Tin Plated
Working Temperature	-40°C to +105°C
Insulation withstand Voltage	AC2000V/min
Insulation resitance	500MΩ or more at DC 500V
Wire Range	24~14 AWG
Screw Torque Value	5Kg/cm

Unit : mm

CBP1-80K

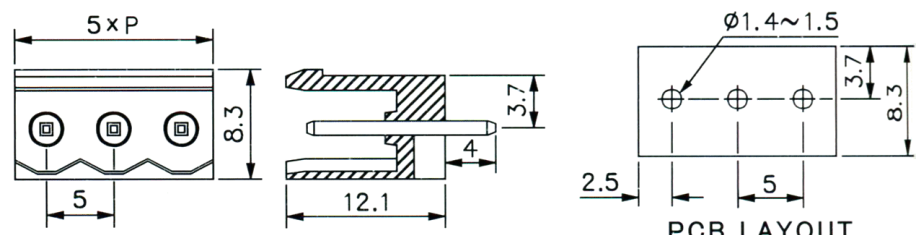
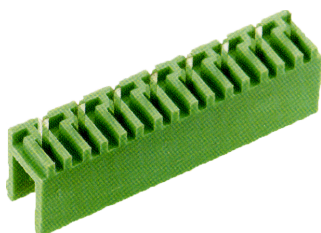


CBP1-80R



PCB LAYOUT

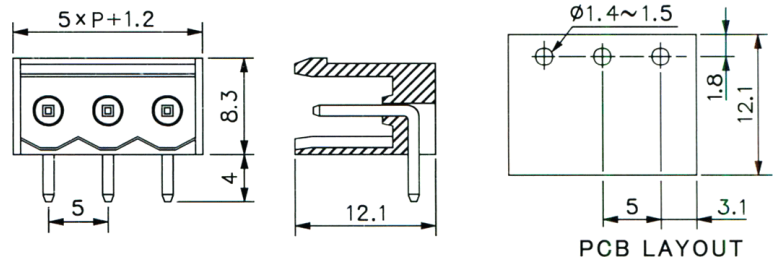
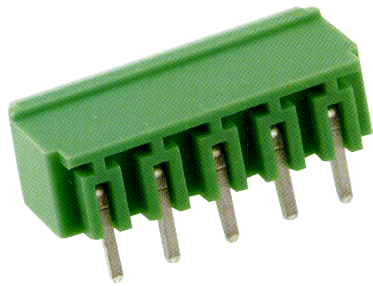
CBP1-80V



PCB LAYOUT

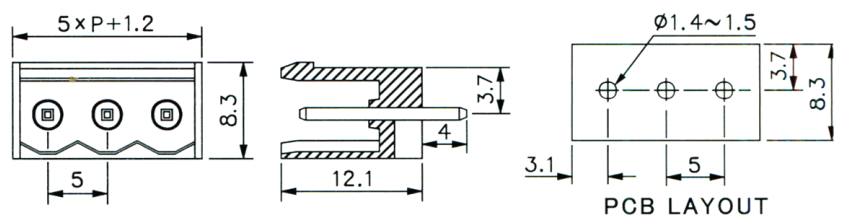
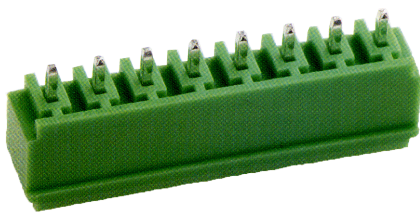
Unit : mm

CBP1-80R1



CBP1-80V1

Unit : mm



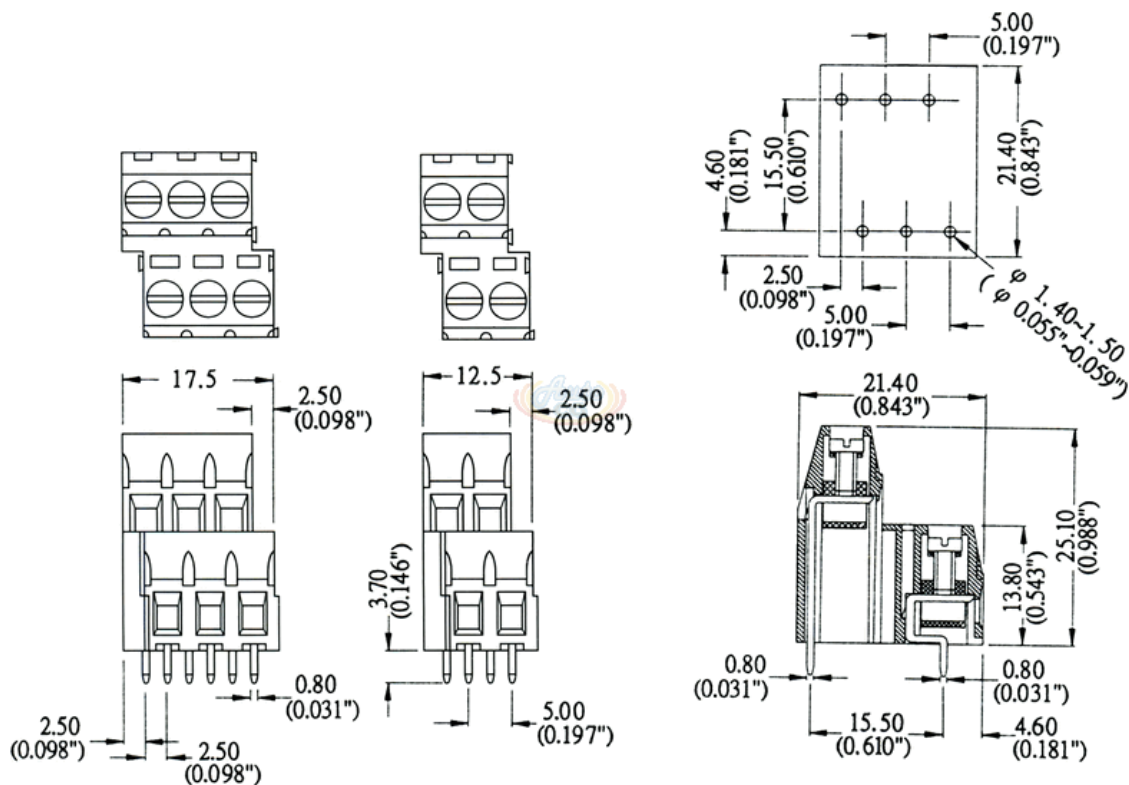
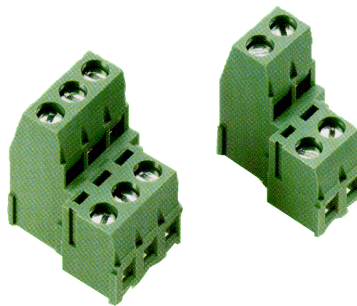
CBP2-HC100 Euro-Style PCB Terminal Blocks

Pitch : 5mm

Poles : 4P & 6P

Electrical Rating	10A 300VAC
Housing Material	Polyamide 66, Green
Screw	M2.6, Steel, Zine Plated
Wire Cage	Brass, 0.7t, Nickel Plated
Solder Pin	Brass, 0.8t, Tin Plated
Working Temperature	-40°C to +105°C
Insul. withstand Voltage	AC2000V/min
Insul. resistance	500MΩ or more at DC 500V
Wire Range	22~16 AWG
Max. Torque Value	5Kg/cm

Unit : mm



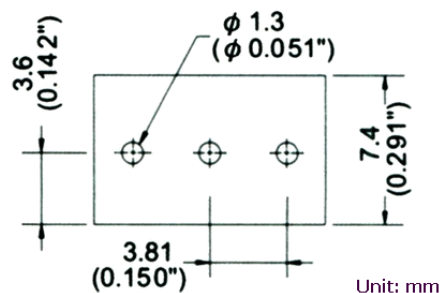
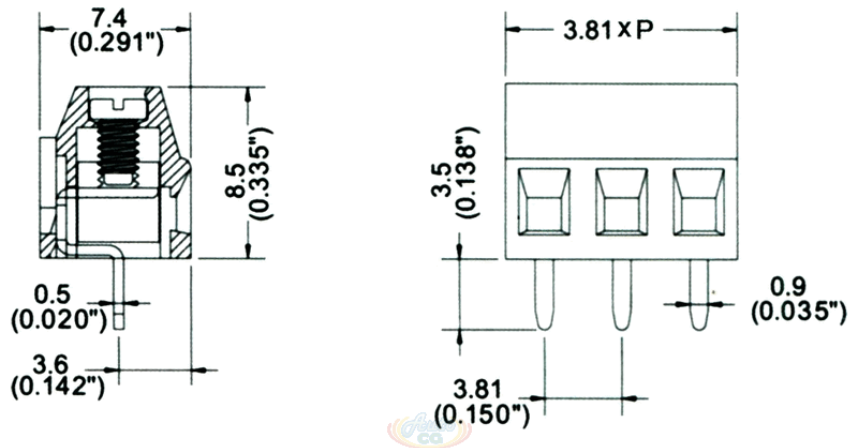
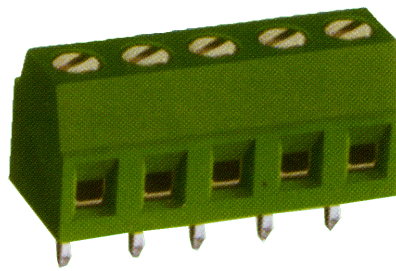
CBP2-HC381 Euro-Style PCB Terminal Blocks

Pitch : 3.81mm

Poles : 2P~16P

Electrical Rating	10A 300VAC
Housing Material	Polyamide 66, Green
Screw	M2.0, Steel, Nickel Plated
Wire Cage	Brass, 0.6t, Nickel Plated
Solder Pin	Brass, 0.5t, Tin Plated
Working Temperature	-40°C to +105°C
Insul. withstand Voltage	AC2000V/min
Insul. resistance	500MΩ or more at DC 500V
Wire Range	26~16 AWG
Max. Torque Value	2Kg/cm

Unit : mm

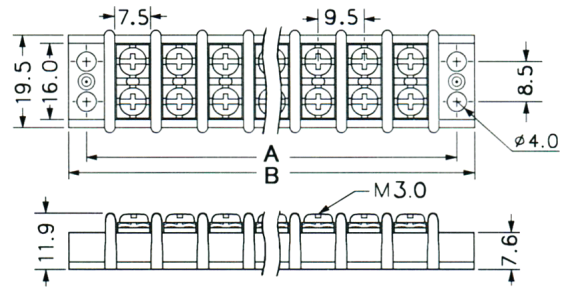


Unit: mm

CB4-10A

Double Row Terminal Blocks 10A

1. Product Type: Barrier Strip, Double Row
2. Insulation resistance: 500MΩ or more at DC500V
3. Wire Range: 12~18 AWG
4. Max. Torque Value: 10Kg/cm
5. Number of Rows: 2



Electrical Rating	10A, 300VAC
Housing Material	Plastic NYLON 66
Terminal	Brass, Nickel Plated
Screw	Steel, M3, Nickel Plated
Working Temperature	-40°C to +105°C
Insul. withstand Voltage	AC2000V at 1 min
Poles	2P~28P
Pitch (terminal to terminal)	9.5mm

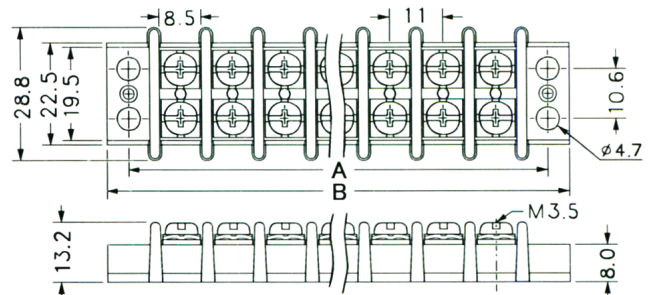
Unit : mm

Poles	2	3	4	5	6	7	8	9	10
A	28.5	38	47.5	57	66.5	76	85.5	95	104.5
B	36	45.5	55	64.5	74	83.5	93	102.5	112
Poles	11	12	13	14	15	16	17	18	19
A	114	123.5	133	142.5	152	161.5	171	180.5	190
B	121.5	131	140.5	150	159.5	169	178.5	188	197.5
Poles	20	21	22	23	24	25	26	27	28
A	199.5	209	218.5	228	237.5	247	256.5	266	275.5
B	207	216.5	226	235.5	245	254.5	264	273.5	283

CB4-20A

Double Row Terminal Blocks 20A

1. Product Type: Barrier Strip, Double Row
2. Insulation resistance: 500MΩ or more at DC500V
3. Wire Range: 12~18 AWG
4. Max. Torque Value: 12Kg/cm
5. Number of Rows: 2



Electrical Rating	20A, 300VAC
Housing Material	Plastic NYLON 66
Terminal	Brass, Nickel Plated
Screw	Steel, M3.5, Nickel Plated
Working Temperature	-40°C to +105°C
Insul. withstand Voltage	AC2000V at 1 min
Poles	2P~26P
Pitch (terminal to terminal)	11mm

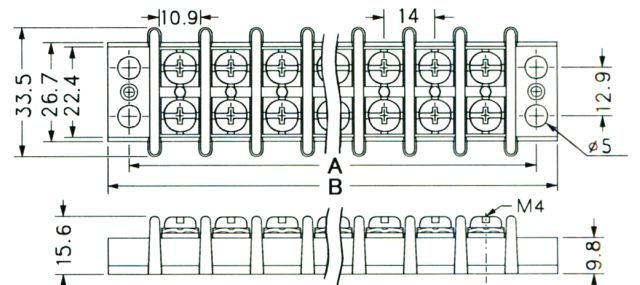
Unit : mm

Poles	2	3	4	5	6	7	8	9	10
A	33	44	55	66	77	88	99	110	121
B	41	52	63	74	85	96	107	118	129
Poles	11	12	13	14	15	16	17	18	19
A	132	143	154	165	176	187	198	209	220
B	140	151	162	173	184	195	206	217	228
Poles	20	21	22	23	24	25	26		
A	231	242	253	264	275	286	297		
B	239	250	261	272	283	294	305		

CB4-30A

Double Row Terminal Blocks 30A

1. Product Type: Barrier Strip, Double Row
2. Insulation resistance: 500MΩ or more at DC500V
3. Wire Range: 12~18 AWG
4. Max. Torque Value: 18Kg/cm
5. Number of Rows: 2



Electrical Rating	30A, 300VAC
Housing Material	Plastic NYLON 66
Terminal	Brass, Nickel Plated
Screw	Steel, M4, Nickel Plated
Working Temperature	-40°C to +105°C
Insul. withstand Voltage	AC2000V at 1 min
Poles	2P~24P
Pitch (terminal to terminal)	14mm

Unit : mm

Poles	2	3	4	5	6	7	8	9	10
A	42	56	70	84	98	112	126	140	154
B	52	66	80	94	108	122	136	150	164
Poles	11	12	13	14	15	16	17	18	19
A	168	182	196	210	224	238	252	266	280
B	178	192	206	220	234	248	262	276	290
Poles	20	21	22	23	24				
A	294	308	322	336	350				
B	304	318	332	346	360				